

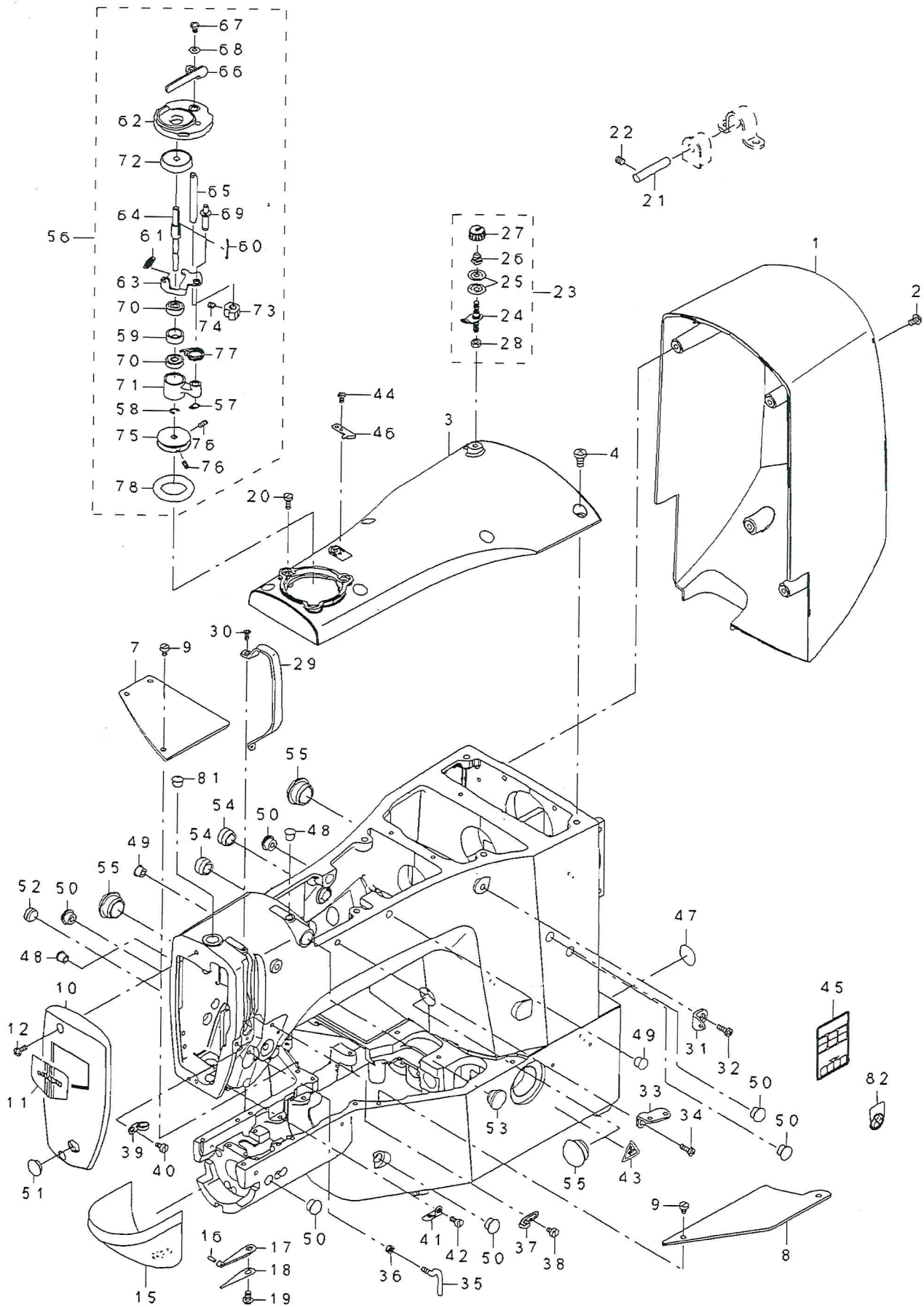
69485

1850D、1860 高速直驱电子套结机

零件样本

---

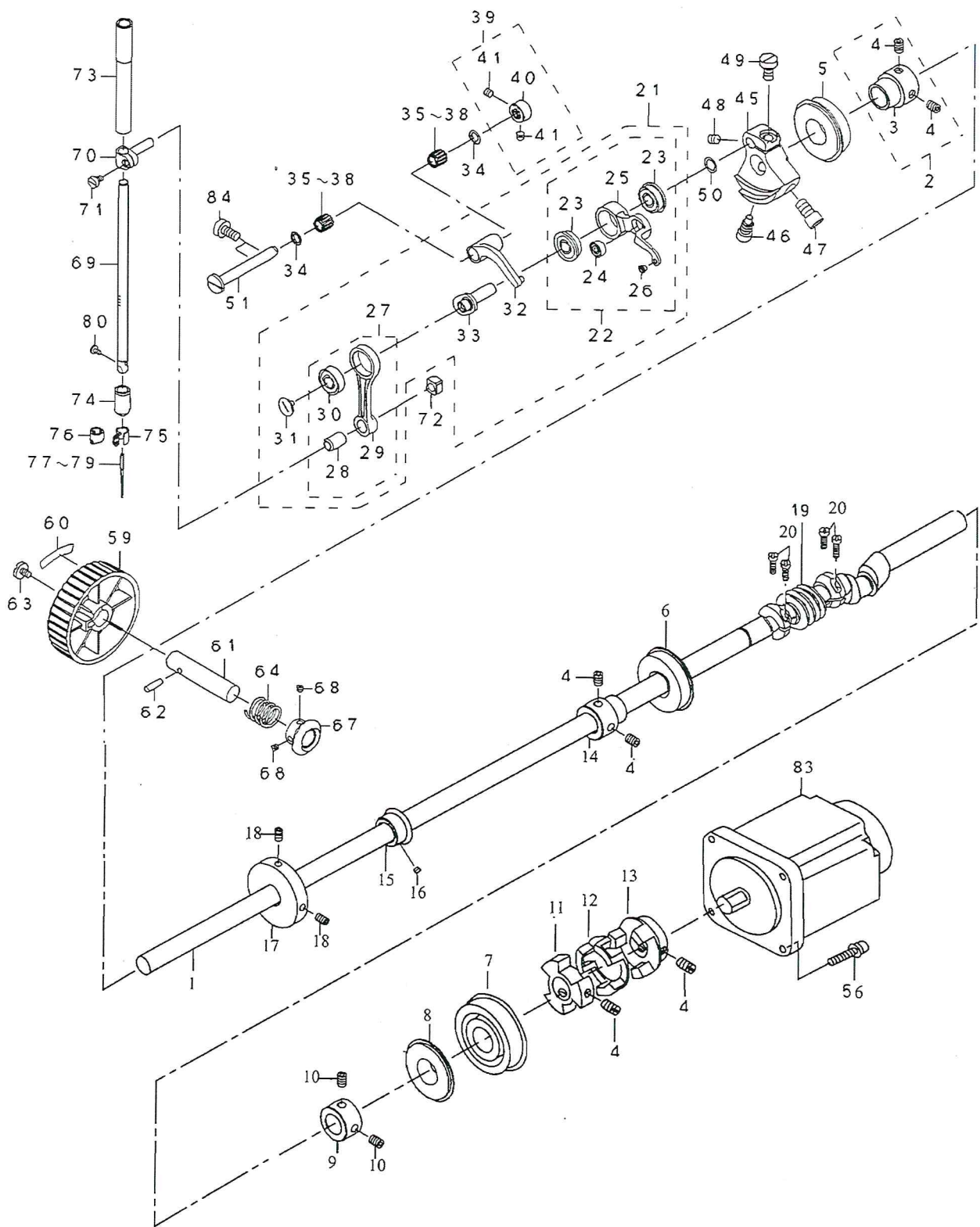
# 1. 外装机壳部件 FRAME & MISCELLANEOUS COVER COMPONENTS



1. 外装机壳部件

NO	件号	名称	Number	Description	Qty
1	36-1860A	机头后盖	400-06475	MOTOR COVER	1
2		螺钉M4 L=8	SM-5040855-SN	SCREW	4
3	37-1860A	机头上盖	400-06478	UPSIDE COVER	1
4		螺钉M6 L=12	SM-4061255-SP	SCREW M6 L=12	6
7	01-07-1900ASS	左侧盖	400-06487	BED COVER LEFT	1
8	01-08-1900ASS	右侧盖	400-06488	BED COVER RIGHT	1
9		螺钉M4 L=6	SM-6040650-TP	SCREW M4 L=6	5
10	01-10-1900ASS	面盖	400-06481	FACE COVER	1
11		商标	229-02506	FACE PLATE	1
12		螺钉M4 L=10	SM-4041055-SP	SCREW	2
15	05-020-185	梭床罩	138-16855	CYLINDER ARM CAP	1
16	4-22-1900	圆柱销 B2×10	135-08700	HOOK COVER PRESSER SPRING PIN	1
17	05-021-185	弹簧板A	135-08809	HOOK COVER PRESSER SPRING A	1
18	05-022-185	弹簧板B	135-08908	HOOK COVER PRESSER SPRING B	1
19		螺钉M4 L=8	SM-5040855-SN	SCREW	1
20		螺钉M4 L=11	SM-6041150-TP	SCREW M4 L=11	3
21	1-16-1900	铰链销	B2707-761-000	HINGE STUD	2
22		螺钉M6 L=6	SM-8060612-TP	SCREW M6 L=6	4
23	1-74-1900	夹线控制器1号组件	141-13468	BOBBIN THREAD TENSION ASM.	1
24	11416-780	绕线器过线螺钉	141-13450	BOBBIN THREAD TENSION ROD ASM.	(1)
25	11415-780	夹线盘	B3126-012-000	THREAD TENSION DISK	(2)
26	11414-780	压线弹簧	D7133-555-B00	CONNECTING ROD SPRING	(1)
27	11413-780	夹线螺帽	110-72402	THREAD TENSION NUT	(1)
28	10211-780	螺帽 11/64-40	NS-6110310-SP	NUT 11/64-40	(1)
29	01-012-185	挑线杆护罩	138-16608	BALANCE COVER	1
30	01-009-210	螺钉 M3 L=8	SM-4030855-SN	SCREW M3 L=8.0	2
31	01-014-1900	导线板	400-10414	THREAD GUIDE NO. 1	1
32	01-011-210	螺钉M6 L=12	SM-4061255-SP	SCREW M6 L=12	1
33	11537-780	过线板	B1111-232-000	THREAD GUIDE PLATE	1
34	01-011-210	螺钉M6 L=12	SM-4061255-SP	SCREW M6 L=12	1
35	780-11544-000	挑线过线钩 A	400-10571	L SHAPED_THREAD_GUIDE_A	1
36	780-10406-SP	螺帽 M4	NM-6040000-SN	NUTM4	1
37	11542-780	右线钩	229-20508	ARM THREAD GUIDE A	1
38	01-017-210	螺钉M4 L=6	SM-6040650-TP	SCREW M4 L=6	1
39	01-021-210	左线钩	137-05108	TAKE-UP THREAD GUIDE B	1
40	01-017-210	螺钉M4 L=8	SM-6040860-TP	SCREW M4 L=8	1
41	01-019-210	过线板	B1129-210-000	FRAME THREAD GUIDE (B)	1
42	01-017-210	螺钉 M4 L=8	SM-6040860-TP	SCREW M4 L=8	1
43		小心标签	CM-3002000-02	CAUTION LABEL(25)	1
44		螺钉M3 L=6	SM-4030601-SN	SCREW M3 X 6	1
45		安全标签	CM-3012000-01	SAFETY LABEL_S	1
46	01-047-1900	断线刀片	105-02300	THREAD CUTTER	1
47		接地标牌	100-04109	GROUND MARK	1
48		橡胶堵	TA-0750704-R0	RUBBER PLUG	2
49		橡胶堵	TA-0850604-R0	RUBBER PLUG	2
50		橡胶堵	TA-1050504-R0	RUBBER PLUG	6
51		橡胶堵	TA-1250406-R0	RUBBER PLUG D=12.5 L=4	1
52		橡胶堵	TA-1270502-R0	RUBBER PLUG	1
53		橡胶堵	TA-1470704-R0	RUBBER PLUG	1
54		橡胶堵	TA-1550902-R0	PLUG	2
55		橡胶堵	TA-2100904-R0	RUBBER PLUG	3
56			262-60000	BOBBIN WINDER UNIT	1
57			RC-0560711-KP	RETAINING RING	(1)
58			RE-0400000-K0	E-RING 4	(1)
59			262-60802	BTW BEARING SPACER	(1)
60			262-61602	BOBBIN SPRING	(1)
61			262-61701	BTW SPRING	(1)
62			262-60109	BTW BASE	(1)
63			262-60208	BTW CAM PLATE	(1)
64			262-60901	BTW SHAFT	(1)
65			262-61008	BTW LEVER SHAFT	(1)
66			262-61107	BTW LEVER	(1)
67		绕线器组件	SM-5040655-SN	SCREW	(1)
68			WP-0450826-SC	WASHER 4.5X10X0.8	(1)
69			262-60307	BTW BASE SHAFT	(1)
70			262-61305	BTW BEARING	(2)
71			262-60406	BTW SHAFT BASE	(1)
72			262-61206	BTW SPACER	(1)
73			262-60505	BTW CAM LEVER	(1)
74			SM-8050502-TP	SCREW M5 L=5	(1)
75			262-60604	BTW WHEEL	(1)
76			SM-8040802-TP	SCREW M4X8	(2)
77			262-60703	BTW TORSTON SPRING	(1)
78			262-61503	BTW WHEEL RUBBER	(1)
81		橡胶堵	229-01409	NEEDLE BAR UPPER BUSH CAP	1
82		禁止注油标签	CM-1001000-01	OIL INJECTION PROHIBITION LABE	1

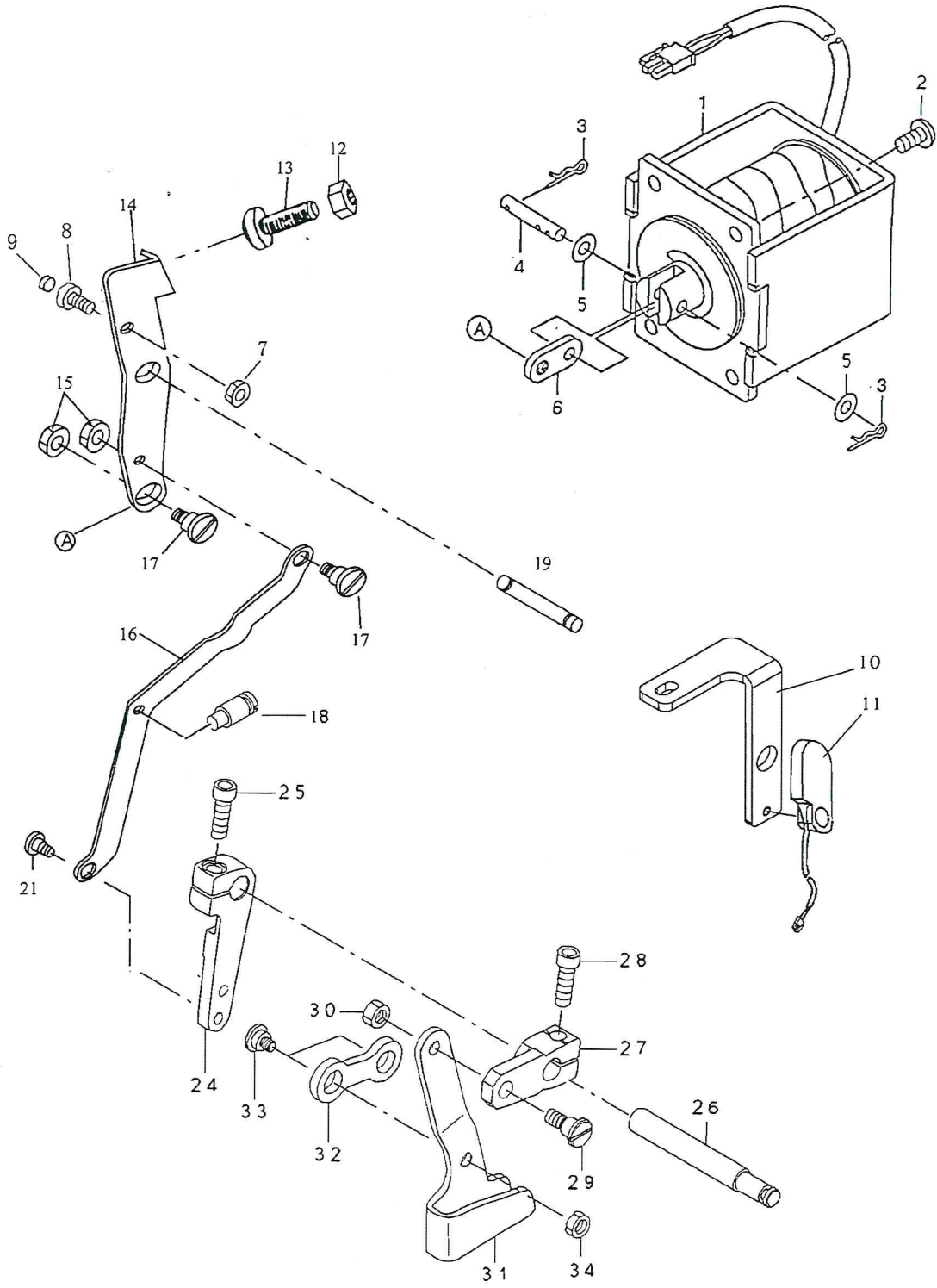
## 2. 上轴针杆部件 MAIM SHAFT & NEEDLE BAR COMPONENTS



## 2. 上轴针杆部件

NO	件号	名称	Number	Description	Qty
1	29-1860A	上轴	400-10572	MAIN SHAFT	1
2	04-005-210	上轴前(中)轴承定位套组件	400-10415	BEARING BUSH A ASM.	1
3	04-005-210	上轴前(中)轴承定位套	400-10416	BEARING BUSH A	(1)
4	04-005.1-210	无头内六角螺钉 M6 L=8	SM-8060812-TP	SCREW M6 L=8	(4)
5	04-004-210	带边球轴承 $\phi 20 \times \phi 42 \times 12$	SB-1200018-00	BEARING	1
6		带边球轴承 6004Z			1
7	2-35-1850				1
8	19-1860A	垫圈			1
9	18-1860A	挡圈			1
10		螺钉SM1/4-40			2
11	24-1860A	联轴器A			1
12		橡胶圈			1
13		联轴器B			1
14	28-1860A	上轴中轴承定位套			1
15	04-050-210	手动伞齿轮(A)	400-06515	GEAR A	1
16	04-051-210	无头内六角螺钉 M4 L=3	SM-8040310-SS	SCREW M4 L=3	2
17	04-054.1-210	摩擦轮	400-10534	BTW DRIVING WHEEL	(1)
18	04-054.2-210	无头内六角螺钉 M5 L=8	400-10533	BTW DRIVING WHEEL ASM.	(2)
19	02-10-1850	蜗杆			1
20	2-11-1850	螺钉11/64-40			4
21	04-064-210	挑线组件	400-06529	THREAD TAKE UP COMPL.	1
22	04-065-210	挑线杆组件	400-06530	THREAD TAKE UP LEVER ASM.	(1)
23	04-068-210	带边球轴承 $\phi 8 \times \phi 19 \times 6$	SB-1080022-00	BEARING	(2)
24	04-069-210	球轴承 $\phi 4 \times \phi 11 \times 4$	SB-1040016-00	BEARING	(1)
25	04-066-210	挑线杆	400-06531	THREAD TAKE UP LEVER	(1)
26	04-067-210	挑线杆孔套	B1908-505-000	THREAD PASS BUSH	(1)
27	04-070-210	针杆曲柄连杆组件	400-06534	NEEDLE BAR CRANK ROD ASM.	(1)
28	04-073-210	铜套	228-91006	NEEDLE BAR CRANK ROD METAL	(1)
29	04-071-210	针杆曲柄连杆	400-06535	NEEDLE BAR CRANK ROD	(1)
30	04-072-210	带边球轴承 $\phi 8 \times \phi 19 \times 6$	SB-1080023-00	BEARING	(1)
31	04-076-210	左旋螺钉	B1903-552-000	LEFT SCREW	(1)
32	04-074-210	挑线杆曲柄	400-06532	THREAD TAKE UP CRANK	(1)
33	04-075-210	针杆曲柄	400-06537	NEEDLE ROD CRANK	(1)
34	04-028-210	尼龙垫圈	228-91204	BEARING SUPPORT	2
35	04-029-210		SB-3070002-0A	BEARING	2
36	04-030-210	滚针轴承 $\phi 7 \times \phi 10 \times 9.6$	SB-3070002-0B	BEARING	2
37	04-031-210		SB-3070002-0C	BEARING	2
38	04-032-210		SB-3070002-0D	BEARING	2
39	04-033-210		挡圈组件	400-10434	THRUST COLLAR ASM.
40	04-033.1-210	挡圈	400-10435	THRUST COLLAR	(1)
41	04-033.2-210	无头内六角螺钉 M5 L=4	400-10436	THRUST COLLAR SCREW	(2)
45	30-1860A	针杆曲柄		COUNTER WEIGHT	1
46	04-011-210	针杆曲柄定位螺钉	400-06517	COUNTER WEIGHT SCREW A	1
47	04-012-210	螺钉	SM-6081252-TP	BOLT M8 L=12	1
48	04-013-210	无头内六角螺钉M6×0.75 L=6	SM-8480652-TP	SCREW M6X0.75 L=6	1
49	04-014-210	一字平面圆柱头螺钉M6 L=12	SM-6061200-SP	SCREW	1
50	10317-780	止推垫圈	WP-0820516-SP	WASHER 11.6X8.2X0.6	1
51	04-077-210	销轴	400-11902	THREAD TAKE UP CRANK SHAFT	1
56	04-041-210	内六角组合螺钉M5 L=25	SL-6052592-TN	BOLT	4
59	02-049-1900	手轮	B1212-210-D00	PULLEY	1
60	02-045-210	旋向标签	B1144-210-000	REVOLVING DIRECTION LABEL	1
61	02-006-1900	手轮轴	265-00306	HAND PULLEY SHAFT	1
62	GB/T879	弹性圆柱销 4×14	PS-0400142-KH	SPRING PIN 4X14	1
63	02-047-1900	手轮固定螺钉	A1230-500-00A	SET-SCREW	1
64	02-050-1900	弹簧	GAF-01007000	SPRING	1
67	02-008-1900	手动伞齿轮(B)	400-06516	GEAR B	1
68	02-053-1900	螺钉 11/64" -40 L=28	SM-8040310-SS	SCREW M4 L=3	2
69	2-13-1850	针杆		NEEDLE BAR	1
70	03-007-185	针杆连接轴	B1411-552-000	NEEDLE BAR CLAMP	1
71	11424-780	螺钉 9/64-40 L=6	SS-6090670-TP	SCREW9/64-40 L=6	1
72	10601-780	针杆架传动滑块	B1414-555-000	SLIDE BLOCK	1
73	3-10-1850	针杆上套	400-10441	NEEDLE ROD METAL	1
74	04-056-210	针杆下套	400-10442	NEEDLE ROD LOWER METAL	1
75	3-16-1850	针杆导线架	400-10574	THREAD GUIDE	1
76			D1405-L7A-M00	NEEDLE BAR THREAD GUIDE	1
77			MDP-500B1100	NEEDLE DPX5 #11	1
78		机针	MDP-500B1400	NEEDLE DPX5 #14	1
79			MDP-170B2100	NEEDLE DPX17 #21	1
80	04-063-210		螺钉 M3 L=4.5	SM-7030550-TP	SCREW M3 L=4.5
83		伺服电机		AC SERVO MOTOR	1
84	04-078-210	无头内六角螺钉 M6 L=12	SM-6061250-TP	SCREW M6 L=12	2

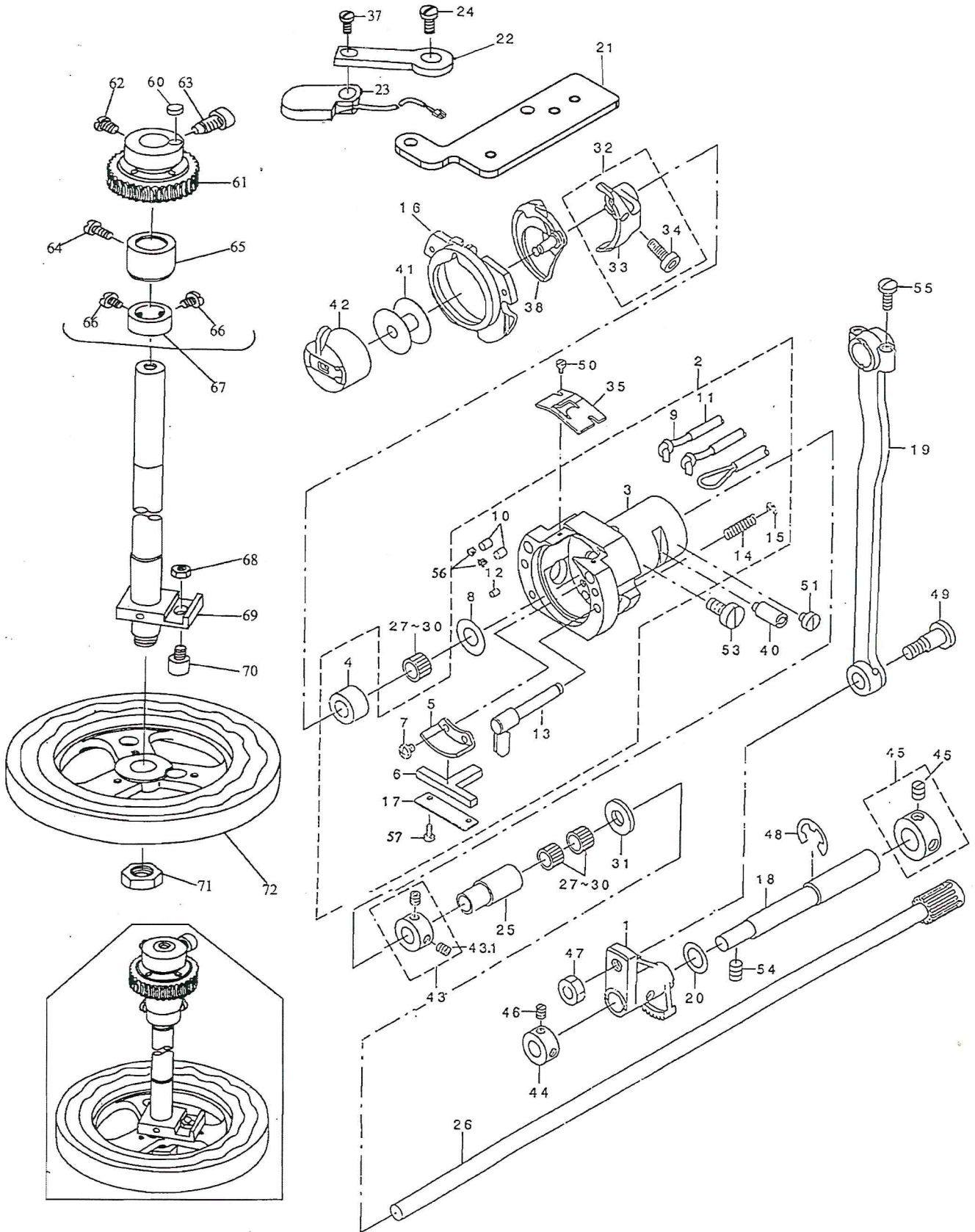
### 3. 抬压脚部件 PRESSER LIFTER COMPONENTS



### 3. 抬压脚部件

NO	件号	名称	Number	Description	Qty
1		电磁铁	141-04152	PRESSER LIFTING SOLENOID ASM.	1
2	GB	螺钉M5*25		SCREW M5*25	4
3	GB/T91-1986	R型销	B1515-210-D00	PIN	2
4	03-023-1900	圆柱销	B1513-210-D00	MAGNET PIN	1
5	GB/T95-1985	垫圈5	WP-0560860-SE	WASHER 5×10×1	2
6	14-1860A	连板		SOLENOID LINK	1
7	03-006-1900	复位弹簧钩	141-04608	RETURN SPRING HOOK	1
8	03-022-1900	复位弹簧	135-44705	SPRING	1
9		螺钉		SEREW	1
10	27-1860A	感应器安装板			1
11		感应器			1
12	780-11024	螺母 5/16-18		NUT 5/16-18	1
13	780-11023	螺钉 5/16-18		SCREW 5/16-18	1
14	01-1860A	拨线杠杆			1
15		螺母15/64-28		NUT 15/64-28	2
16	02-1860A	拨线连杆			1
17	9-11-1850	轴位螺钉D=8 H=4		HINGE SCREW D=8 H=4	2
18	03-1860A	弹簧挂钉			1
19	780-10301	轴销			1
21	8-62-1790	轴位螺钉D=8 H=4		HINGE SCREW D=8 H=4	1
24	03-020-1900	连接臂	400-06671	CONNECTING ARM	1
25		内六角圆柱头螺钉 M6 L=18	SM-6061802-TP	SCREW M6 L=18	1
26	03-005-1900	连接臂轴	265-00405	CONNECTING SHAFT	1
27	03-27-1900ASS	压脚连接臂	400-08693	LOWERING ARM	1
28		内六角圆柱头螺钉 M6 L=18	SM-6061802-TP	SCREW M6 L=18	1
29	03-29-1900ASS	轴位螺钉	SD-0790606-TP	HINGE SCREW D=7.94 H=6	1
30		螺帽M6	NM-6060001-CP	NUT M6	1
31	03-31-1900ASS	抬压脚压杆	400-06672	LOWERING FOOT	1
32	03-004-1900	抬压脚连杆	141-04400	CONNECTING LINK	1
33	03-33-1900ASS	轴位螺钉	SD-1000406-TP	HINGE SCREW D=10 H=4	2
34		螺母M6	NM-6060003-SC	NUT M6	1

# 4. 摆梭、传动部件 SHUTTLE DRIVER SHAFT COMPONENTS

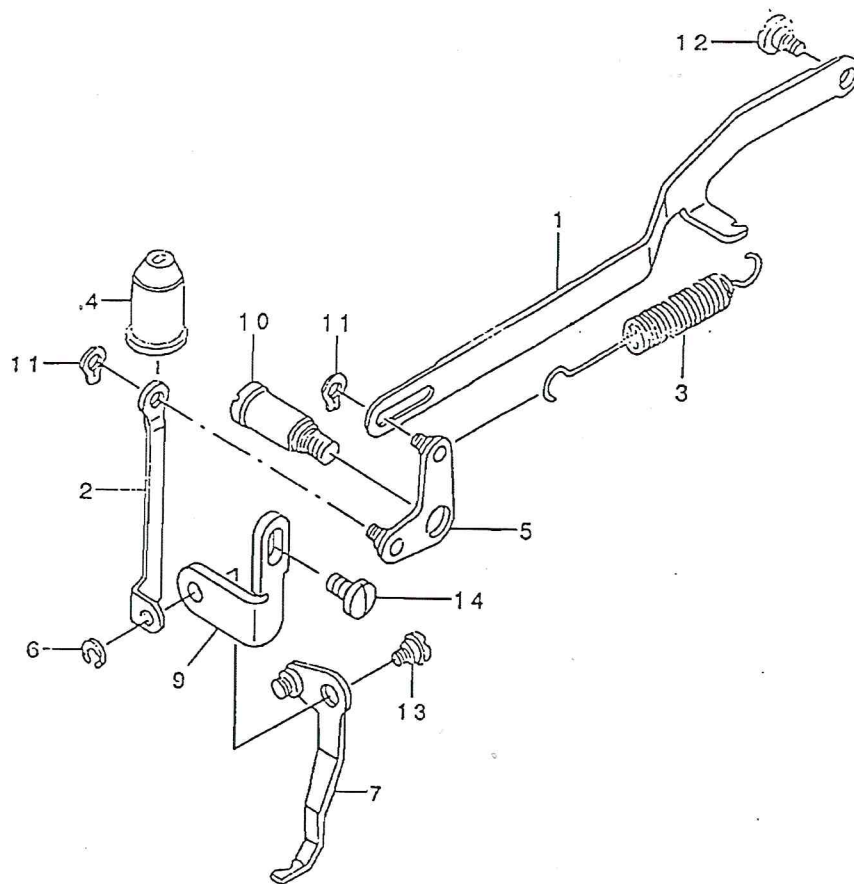




## 4. 摆梭、传动部件

NO	件号	名称	Number	Description	Qty
1	04-001-1900	扇形摆动齿轮	141-03402	OSCILLATOR	1
2		梭床体组件	141-03154	SHUTTLE ASM.	1
3	05-005-185	梭床体	141-03105	SHUTTLE	(1)
4	05-004-185	梭床轴套	B1813-980-000	SHUTTLE NEEDLE OUTER RING	(1)
5	10-034-185	梭床加油板	B3505-280-000	SHUTTLE LUBRICATING PLATE	(1)
6	05-005.6-185	毛毡	B3504-280-000	SHUTTLE ONCE THROUGH OIL FELT	(1)
7	10-45-185	螺钉 9/64-40 L=4	SS-6090440- SP	SCREW 9/64-40 L=4	(2)
8	5-9-185	垫圈 9.5×14.8×2.6	WP-0952616- SD	WASHER 9.5×14.8×2.6	(1)
9		油毛毡绳 (φ2)	CQ-2522000-00	OIL WICK	1.59)
11		乙烯基管 (φ4.5×0.8)	BP-3000000-00	VINYL PIPE	0.99)
13	05-005.1-185	梭床压板组件	B1820-215-PA0-A	INNER HOOK PRESSER ASM.	(2)
14	05-005.4-185	弹簧	B1822-215- P00	INNER HOOK PRESSER SPRING	(2)
15	GB/T896-1986	开口挡圈 3	RE-0300000 K0	E-RING 3	(2)
16	05-001.1-185	梭床盖组件	141-03253	INNER HOOK PRESSER ASM. , A	1
17	05-005.5-185	油毡压板	141-04004	ONCE THROUGH OIL FELT PRESSER	1
18	04-018-1900	摆动齿轮偏心轴	B1836-210- D00	OSCILLATING ECCENTRIC SHAFT	1
19	04-019-1900	摆梭连杆	B1802-210- D00	CRANK ROD	1
20	04-020-1900	垫圈	105-23504	WASHER	1
21	15-1860A	松线座板			1
22	16-1860A	停车感应器板		SENSOR INSTALLING BASE	1
23		停车感应器		SENSOR INSTALLING	1
24		螺钉		SCREW	1
25	05-009-185	下轴后套	135-08403	LOWER SHAFT REAR METAL	1
26	05-011-185	下轴组件	135-09153	LOWER SHAFT GEAR A ASM.	1
27	5846-081110	滚针轴承	B1411-804-A00	BEARING (A)	3
31	05-010-185	垫圈	B1808-980-000	LOWER SHAFT THRUST WASHER	1
32		摆梭托组件	B1812-980-0A0	DRIVER ASM.	1
33	05-003-185	摆梭托	B1812-980-000	SHUTTLE DRIVER	(1)
34	5-6-185	螺钉 3/16-28 L=12	SS-6121212-TP	SCREW 3/16-28 L=12	(1)
35	05-006-185		B1815-980-000	SHUTTLE UPPER SPRING	1
37		螺钉 M3		SCREW M3	1
38	5-4 SH280	摆梭	B1818-280-000	INNER HOOK	1
40	05-007-185	梭床调节轴	B1819-280-000	SHUTTLE RACE ADJUSTING SHAFT	1
41	05-002-185	梭芯	138-12102	BOBBIN	1
42	B1828-185	梭壳组件	B1828-980-0BB	BOBBIN CASE ASM. (RACING PREVE)	1
43	05-008-185	下轴挡圈组件 D=8 W=8	CS-080081C-SH	THRUST COLLAR ASM. D=8 W=8	1
44	04-044-1900	摆动齿轮挡圈	CS-1000811-SP	THRUST COLLAR	1
45	04-045-1900	摆动齿轮挡圈组件	CS-1201010-SH	THRUST COLLAR ASM. D=12 W=10	1
46	5-27-185	螺钉 11/64-40 L=4.5	SS-8110520-TP	SCREW 11/64-40 L=4.5	2
47	5-25-185	螺母 1/4-40	NS-6660430-SP	NUT 1/4-40	1
48	GB/T896-1986	开口挡圈 9	RE-0900000-K0	E-RING 9	1
49	5-23-185	轴位螺钉 D=8 H=10.2	SD-0801021-TP	HINGE SCREW D=8 H=10.2	1
50	5-12-185	螺钉 3/32-56 L=3.5	SS-6060410-TP	SCREW 3/32-56 L=3.5	2
51	1-8-185	螺钉 11/64-40 L=4.3	SS-6110480-SP	SCREW 11/64-40 L=4.3	1
53	6-31-185	螺钉 15/64-28 L=11.5	SS-6151220-SP	SCREW 15/64-28 L=11.5	1
54	5-31-185	螺钉 15/64-28 L=8	SS-8150822-TP	SCREW 15/64-28 L=8	2
55	5-3-1190	螺钉 11/64-40 L=10.5	SS-7111110-TP	SCREW 11/64-40 L=10.5	2
56	10-035-185	橡胶塞		RUBBER PLUG	(2)
57	5-12-185	螺钉 3/32-56 L=3.5	SS-6060410-TP	SCREW 3/32-56 L=3.5	2
61	05-024-185	蜗轮组件	135-10458	WORM WHEEL ASM	1
62	5-41-185	螺钉1/4-40 L=11	SS-6661110-SP	SCREW 1/4-40 L=7	1
63	05-023-185	蜗轮座定位螺钉	SS-6742012-TP	SCREW 3/8-28 L=19.5	1
65	05-025-185	送布凸轮轴轴套	135-10201	WORM WHEEL SHAFT BUSHING	1
66	5-47-1850	螺钉1/4-40 L=7	SS-6660710-TP	SCREW 1/4-40 L=7	2
67	05-026-185	立轴挡圈	CS-180121A-SH	THRUST COLLAR ASM D=18 W=12	1
68	5-48-1850	螺母1/4-40	NS-6660511-SP	NUT 1/4-40	1
69	05-027-185	送布凸轮轴组件	135-10151	WORM WHEEL SHAFT ASM	1
70	5-50-1850	轴位螺钉 D=12 H=12	135-10706	CAM GUIDE PIN	1
71	5-51-1850	螺母9/16-20	NS-6360810-SP	NUT9/16-20	1
72	05-028-185	送布凸轮	135-10607	PEED CAM	1

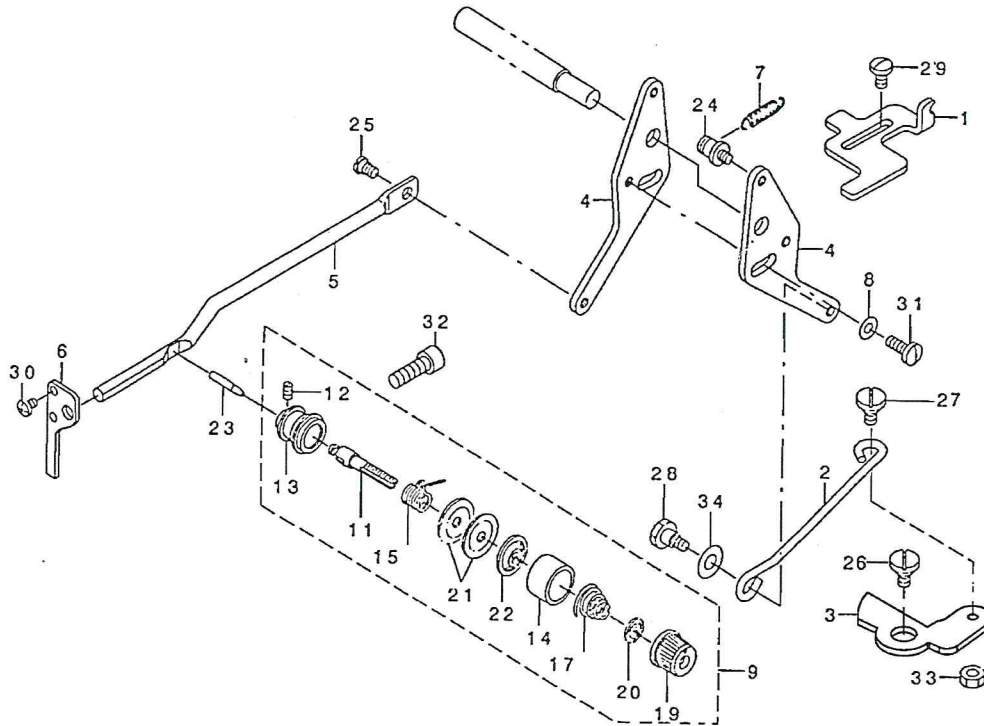
## 5. 拨线部件 WIPER MECHANISM COMPONENTS



## 5. WIPER MECHANISM COMPONENTS

REF. NO	DESCRIPTION	PART NO		QTY
1	WIPER CONNECTING LINK	135-09500	04-024-185	1
2	WIPER CONNECTING PLATE	135-09609	04-029-185	1
3	SPRING	135-09708	04-025-185	1
4	OIL SHIELD CAP	135-09807	04-028-185	1
5	WIPER CONNECTING ARM ASM.	135-099555	04-026-185	1
6	RETAINING RING 5	B1229-232-000	GB/T894.1-1985	1
7	WIPER ASM.	B2101-280-0A0	04-031-185	1
9	WIPER BASE PLATE	135-74009	04-030-185	1
10	WIPER CONNECTING SCREW	B2109-280-000	04-027-185	1
11	RETAINING RING 5	RC-0470611-KP	GB/T894.1-1985	2
12	HINGE SCREW D=5.3 H=2.2	SD-0530221-SP	4-30-185	1
13	HINGE SCREW D=6.35 H=2.1	SD-0640211-SP	4-56-185	1
14	SCREW 11/64-40 L=7.8	SS-7110840-SP	04-055-185	1

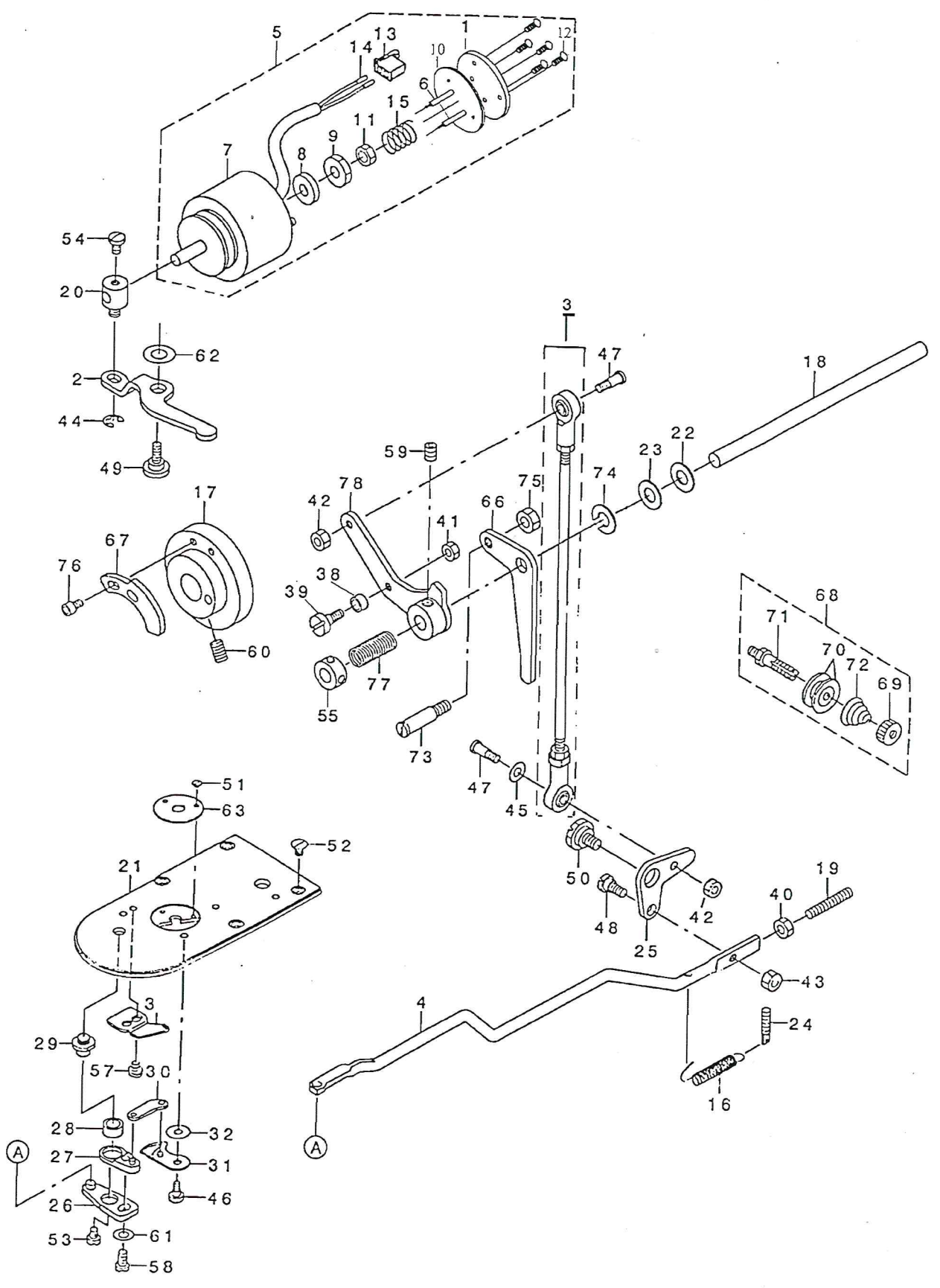
## 6. 松线部件 TENSION RELEASE & THREAD TENSION COMPONENTS



## 6. TENSION RELEASE & THREAD TENSION COMPONENTS

REF. NO	DESCRIPTION	PART NO		QTY
1	STOPPER	141-07502	06-001-1900	1
2	CONNECTING BAR	141-07700	08-1860A	1
3	TENSION RELEASE LINK	B2304-210-D00	07-1860A	1
4	TENSION RELEASE ADJUSTING ARM	B2306-210-D00	06-004-1900	2
5	TENSION RELEASE BAR	135-13205	04-017-185	1
6	THREAD TENSION ARM	135-13304	04-018-185	1
7	PRESSURE SPRING	B2545-280-000	06-007-1900	1
8	WASHER 4.8×11.5×2	WP-0482086-SD	9-2-185	1
9	SECOND THREAD TENSION ASM.	B2302-280-0A0		1
11	SECOND THREAD TENSION ROD	B2302-280-000	04-004-185	(1)
12	SCREW 9/64-40 L=5.9	SS-8090610-SP	4-5-185	(1)
13	THREAD TENSION ROD, LARGE	B2313-280-000	04-003-185	(1)
14	THREAD TENSION DISK PRESSER	B3107-804-000	04-004-185	(1)
15	THREAD TAKE-UP SPRING	B3112-761-000	04-005-185	(1)
17	THREAD TENSION SPRING	B3114-232-000	04-007-185	(1)
19	THREAD TENSION NUT	B3119-771-000	15020-780	(1)
20	ROTATING STOPPER	B3120-125-000	15021-780	(1)
21	THREAD TENSION DISK	B3126-012-000	15024-780	(2)
22	THREAD TENSION DISK PRESSER	B3132-552-000	04-006-185	(1)
23	TENSION RELEASE PIN	B2303-280-000	21-1860A	1
24	SUSPENSION SCREW	B3413-552-000	06-024-1900	1
25	HINGE SCREW D=5.3 H=2.2	SD-0530221-SP	04-030-185	1
26	HINGE SCREW D=7.24 H=3.3	SD-0720321-TP	5-60-210	1
27	HINGE SCREW D=6.35 H=3.9	SD-0640391-TP	13-1860A	1
28	HINGE SCREW D=6.35 H=4.8	SD-0640482-SP	06-028-1900	1
29	SCREW 11/64-40 L=8	SS-6110810-TP	10516-780	2
30	SCREW 9/64-40 L=5	SS-4090515-SP	10305-780	2
31	SCREW 11/64-40 L=11	SS-7111120-TP	10338-780	1
32	SCREW 15/64-28 L=18	SS-6151812-TP	06-032-1900	1
33	NUT 3/16-28	NS-6120310-SP	7-12-185	1
34	WASHER 6.3×11.2×0.5	WP-0651056-SD	07-026-185	1

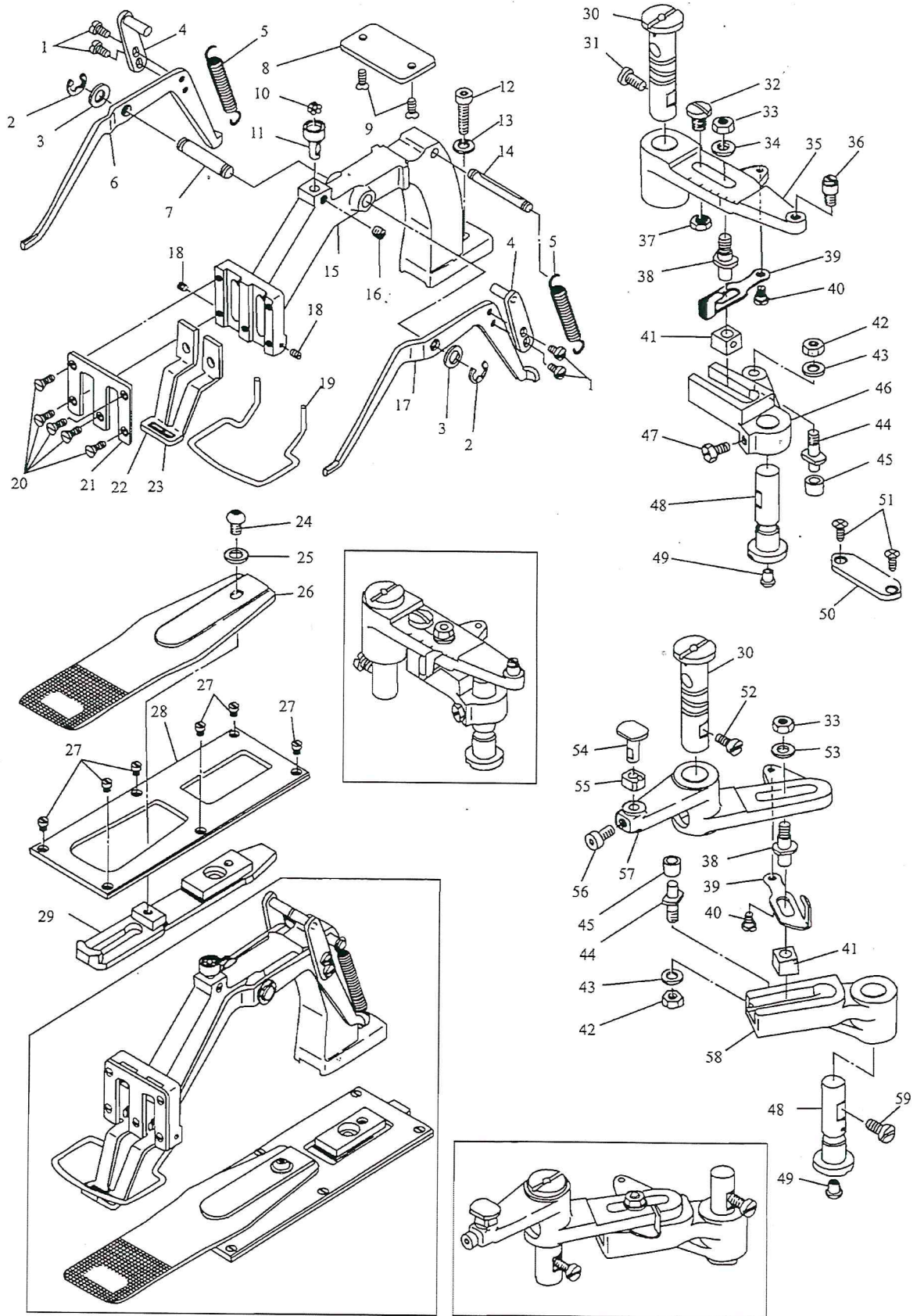
# 7: 剪线部件 CUT LINE COMPONENTS



## 7. 剪线部件

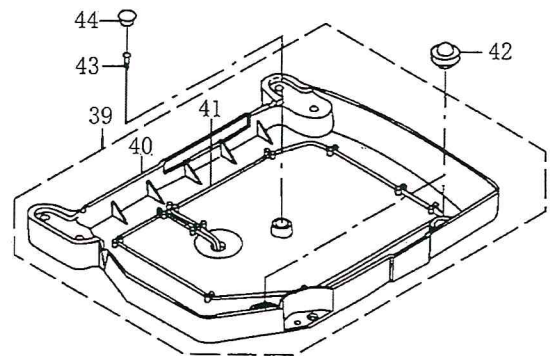
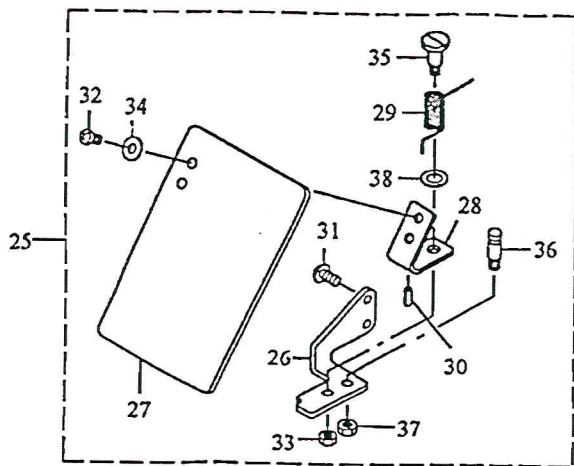
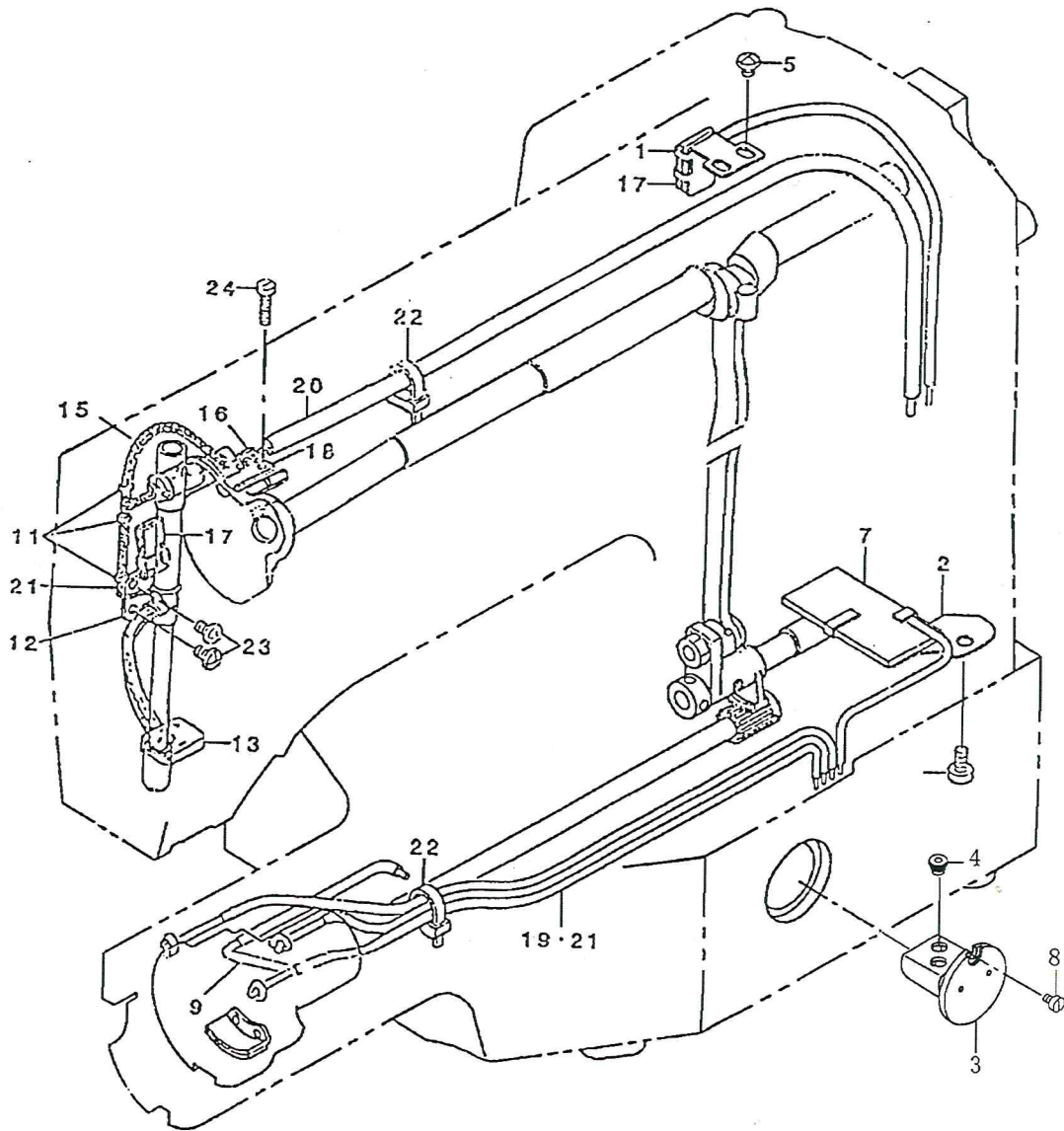
NO	件号	名称	Number	Description	Qty
1	22-1860A	电磁铁安装板			1
2	09-1860A	松线杠杆		SOLENOID ARM	1
3		剪线连杆组件	141-08609	CONNECTING ROD	1
4	32-1860A	剪线杠杆		CONNECTING BAR	1
5		剪线电磁铁组件	141-08955	THREAD TRIMMING SOLENOID ASM.	1
6	11-1860A	剪线电磁铁桩			2
7		剪线电磁铁	141-08906	SOLENOID FOR THREAD TRIMMING	(1)
8		缓冲垫	110-43304	SOLENOID RUBBER	(1)
9		螺母 1/4-40	NS-6660410-SH	NUT 1/4-40	(1)
10		电磁铁缓冲垫			1
11		螺母 1/4-40	NS-6660430-SP	NUT 1/4-40	(1)
12		沉头螺钉M4*10	WP-0450000-SD	SCREW M4*10	5
13		尼龙插座	HK-0346100-20	2-POLE NYLON PLUG	(1)
14		插片	HK-0346400-00	PIN CONTACT	(2)
15	07-015-1900	弹簧	B1652-704-000	SPRING	(1)
16	07-016-1900	剪线曲柄弹簧	141-09300	THREAD TRIM LINK SPRING	1
17	07-017-1900	剪线凸轮	B2401-210-D00	THREAD TRIMMER CAM	1
18	17-1860A	剪线轴		THREAD TRIMMER SHAFT	1
19	GB/T73-1988	螺钉 M5 L=30	SM-8053002-TP	SCREW M5 L=30	1
20	07-020-1900	电磁铁销	110-43007	SOLENOID PIN	1
21	03-026-185	针板组件	135-15507	NEEDLE PLATE	1
22	07-022-1900	调整垫圈 $\phi 8 * \phi 16 * 1$	B1223-771-000	NEEDLE ROD CRANK WASHER	1
23	07-023-1900	缓冲垫 $\phi 8 * \phi 16 * 1.6$	B1116-804-000	CLOTH PLATE WASHER	1
24	07-021-185	曲柄弹簧调整螺钉 11/64-40	B1649-161-000	TENSION SPRING ADJUSTING SCREW	1
25	31-1860A	剪线曲柄	B2411-210-000	THREAD TRIMMER LINK	1
26	03-026.1-185	动刀驱动连杆组件	B2414-280-0A0	THREAD CUTTER LEVER ASM., LARG	1
27	03-030-185	动刀曲柄组件	B2415-280-0A0	THREAD CUTTER LEVER ASM., SMAL	1
28	03-029-185	动刀曲柄衬套	B2416-280-000	THREAD CUTTING LEVER RING	1
29	03-026.2-185	动刀曲柄轴	B2417-280-000	THREAD CUTTER LEVER SHAFT	1
30	03-028-185	动刀连杆	B2418-280-000	MOVING KNIFE LINK	1
31	03-033-185	动刀	B2421-280-0A0	MOVING KNIFE ASM.	1
32	03-032-185	调整垫圈	B2423-280-00A	MOVING KNIFE WASHER A	1
37	03-027-185	定刀	B2424-280-000	FIXING KNIFE	1
38	07-038-1900	滚子	D2587- L8W- B00	ROLLER	1
39	07-039-1900	轴位螺钉 D=5.5 L=4.2	D2588- L8W- B00	ROLLER SHAFT	1
40	GB/T6184-2000	螺母 M5	NM-6050001-SP	NUT M5	1
41	7-39-185	螺母 11/64-40	NS-6110420-SP	NUT 11/64-40	1
42	7-39-185	螺母 11/64-40	NS-6110420-SP	NUT 11/64-40	2
43	11-36-185	螺母 3/16-28	NS-6120310-SP	NUT 3/16-28	1
44	GB/T896-1986	轴用弹性挡圈 6	RE-0500000-K0	E-RING	1
45	11-39-185	垫圈 5*10.5*1	WP-0501016-SD	WASHER 5×10.5×1	1
46	3-54-185	轴位螺钉 D=5.0 H=0.9	SD-0500091-TP	HINGE SCREW D=5.0 H=0.9	1
47	12-1860A	轴位螺钉 D=5 H=8	SD-0500803-TP	HINGE SCREW D=5 H=8	2
48	07-048-1900	轴位螺钉 D=6.5 H=3.1	SD-0650305-TP	HINGE SCREW D=6.5 H=3.1	1
49	07-049-1900	轴位螺钉 D=7.94 H=3.1	SD-0790311-TP	HINGE SCREW D=7.94 H=3.1	1
50	07-050-1900	轴位螺钉 D=11 H=3	SD-1100301-TP	HINGE SCREW H=11 W=3	1
51	3-56-185	螺钉 3/32-56 L=2.2	SS-1060210-TP	SCREW 3/32-56 L=2.2	2
52	3-51-185	螺钉 11/64-40 L=5.5	SS-1110640-TP	SCREW 11/64-40 L=5.5	4
53	1-8-185	螺钉 11/64-40 L=4.0	SS-6110430-TP	SCREW 11/64-40 L=4.0	1
54	10140-780	螺钉 11/64-40 L=7	SS-7110740-TP	SCREW 11/64-40 L=7	1
55	10-1860A	挡圈			1
57	3-59-185	螺钉 9/64-40 L=3.5	SS-7090410-SP	SCREW 9/64-40 L=3.5	2
58	3-66-185	螺钉 11/64-40 L=7	SS-7110740-TP	SCREW 11/64-40 L=7	1
59	5-31-185	螺钉 15/64-28 L=8	SS-8150822-TP	SCREW 15/64-28 L=8	1
60	2-19-185	螺钉 1/4-40 L=10	SS-8661012-TP	SCREW 1/4-40 L=10	2
61	3-65-185	垫圈 4.8×7.8×0.8	WP-0450846-SP	WASHER 4.8×7.8×0.8	1
62	07-062-1900	垫圈 5.6×16×3.2	WP-0553216-SD	WASHER 5.6×16×3.2	1
63	03-025-185	针板 ( $\phi 1.6$ 、 $\phi 2.2$ 、 $B \phi 1.6$ )	B2426-280-000	NEEDLE HOLE GUIDE	1
66	07-066-1900	升降压脚挡臂	141-07601	THREAD RELEASE ARM	1
67	07-067-1900	升降压脚凹口	B2312-210-D00	TENSION RELEASE NOTCH	1
68		夹线控制器1号组件	B1115-232-0A0	FIRST THREAD TENSION ASM.	1
69	04-011-185	夹线螺母	A3125-002-000	TENSION NUT, NO. 1	(1)
70	15024-780	夹线盘	B3126-012-000	THREAD TENSION DISK	(2)
71	04-009-185	第一夹线过线螺钉	B3123-352-000	THREAD TENSION ROD	(1)
72	04-010-185	压线弹簧	B1115-232-000	FIRST THREAD TENSION SPRING	(1)
73	04-1860A	剪线辅助凸轮曲柄连接销	141-07809	TENSION RELEASE ARM PIN	1
74		卡簧8		E-RING 8	1
75	10544-780	螺母 15/64-28	NS-6150310-SP	NUT 15/64-28	1
76	GB/T70-1985	螺钉 M4 L=6	SM-6040602-TP	SCREW M4 L=6	2
77	07-077-1900	复位压簧	B2617-771-000	TRIPPING LEVER TENSION SPRING	1
78	07-078-1900	剪线凸轮曲柄组件	141-09250	CAM FOLLOWER ASM.	1

# 8. 送料部件 / FEED MECHANISM COMPONENTS



8. 送料部件					
NO	件号	名称	Number	Description	Qty
1	6-1-1850	螺钉 11/64-40 L=7		SCREW 11/64-40 L=7	4
2	896-0700000	开口挡圈 7		E-RING 7	2
3	6-3-1850	垫圈8.5*14*1		WASHER 8.5*14*1	2
4	06-001-185	压脚提升导板组件		LEVER DRIVING PLATE ASM	2
5	06-002-185	拉簧		TENSION SPRING	2
6	06-003-185	左压脚提升架		OFTOMG EVER EFT	1
7	06-004-185	提升架轴		LIFTING LEVER SHAFT	1
8	07-39-1900ASS	送料架支承板		SUPPORT PLATE	1
9	6-9-1850	螺钉 11/64-40 L=8.5		SCREW 11/64-40 L=8.5	2
10	308-31750	钢球 (1/8)		WORK CLAMP FOOT MOUNTING BASE	9
11	06-006-185	钢球座		BALL RETAINER	1
12	6-12-1850	螺钉M6 L=20		SCREW M6 L=20	1
13	6-13-1850	垫圈6.2*13*1		WASHER 6.2*13*1	1
14	06-007-185	拉簧挂销		SPRING SUSPENSION	1
15	06-008-185	送料架		FEED BRACKET	1
16	6-16-1850	螺钉 15/64-28 L=4.7		SCREW 15/64-28 L=4.7	1
17	06-009-185	右压脚提升架		LIFTING LEVER RIGHT	1
18	6-18-1850	螺钉 1/8-44 L=2.8		SCREW 1/8-44 L=2.8	2
19	06-010-185	护手圈		FINGER GUARDE	1
20	6-20-1850	螺钉 11/64-40 L=8.7		SCREW 11/64-40 L=8.7	2
21	06-011-185	压脚面板		WORK CLAMP FOOT FACE PLATE	1
22	06-012-185	左压脚		WORK CLAMP FOOT RIGHT	1
23	06-013-185	右压脚		WORK CLAMP FOOT LEFT	1
24	8-64-1900	螺钉 M6 L=10		SCREW M6 L=10	1
25	6-13-185	垫圈 6.2*13*1		WASHER 6.2*13*1	1
26	8-14-1900	送料板		FEED PLATE	1
27	6-27-1850	螺钉 11/64-40 L=4.8		SCREW 11/64-40 L=4.8	6
28	06-015-185	盖板		FEED PLATE PRESSER PLATE	1
29	07-24-1900ASS	送料托架		FEED PLATE CARRIER BAR	1
30	06-017-185	针距调节器销		FEED DRIVING ARM SHAFT	2
31	6-31-1850	螺钉 15/64-28 L=11.5		SCREW 15/64-28 L=11.5	1
32	6-32-1850	螺钉 5/16-24 L=10		SCREW 5/16-24 L=10	1
33	6-33-1850	螺母 15/64-28		NUT 15/64-28	2
34	6-34-1850	垫圈 7*15*2		WASHER 7*15*2	1
35	06-018-185	横向针距调节杆		FEED REGULATOR	1
36	06-019-185	横向针距连动销		HINGE STUD	1
37	6-37-1850	螺母 5/16-24		NUT 5/16-24	1
38	06-020-185	针距滑块轴		FEED REGULATOR STUD	2
39	06-021-185	针距指示杆		INDICATOR LEVER	2
40	6-40-1850	轴位螺钉D=5.3 H=2.2		HINGE SCREW D=5.3 H=2.2	2
41	06-022-185	针距滑块		SLIDE BLOCK B	2
42	6-42-1850	螺母 1/4-40		NUT 1/4-40	2
43	6-43-1850	垫圈6.5*13*0.8		WASHER 6.5*13*0.8	2
44	06-023-185	送料滚柱轴		FEED CAM ROLLER SHAFT	2
45	06-024-185	送料滚柱		FEED CAM ROLLER SHAFT	2
46	06-025-185	横向针距传动杆		FEED DRIVING ARM	1
47	6-47-1850	螺钉15/64-28 L=14		SCREW 15/64-28 L=14	1
48	06-026-185	针距座销		FEED REGULATOR SHAFT	2
49	06-027-185	油塞		RUBBER PLUG	2
50	06-028-185	托板		PLATE	1
51	6-51-1850	螺钉 11/64-40 L=8.5		SCREW 11/64-40 L=8.5	2
52	6-52-1850	螺钉15/64-28 L=11.5		SCREW 15/64-28 L=11.5	1
53	6-53-1850	垫圈7*15*2		WASHER 7*15*2	1
54	06-029-185	送料滑块轴		SLIDE BLOCK STUD	1
55	06-030-185	送料滑块		SQUARE BLOCK	1
56	6-56-1850	螺钉15/64-28 L=10.5		SCREW 15/64-28 L=10.5	1
57	06-031-185	纵向针距调节杆		FEED ACROSS DRIVING ARM	1
58	06-032-185	纵向针距传动杆		FEED ACROSS REGULATOR 1	1
59	6-59-1850	螺钉15/64-28 L=11.5		SCREW 15/64-28 L=11.5	1

# 9. 润滑、安全部件 LUBRICATION & SAFETY PLATE COMPONENTS





## 9. 润滑、安全部件

NO	件号	名称	Number	Description	Qty
1	09-001-1900	油毡夹	141-14102	OIL SHIELD	1
2	09-002-1900	油毡夹	141-14201	OIL SHIELD	1
3	03-060-210	油窗	400-06836	OIL TANK ASM.	1
4	03-062-210	橡胶塞	400-06840	RUBBER BUSH	2
5	10158-780	螺钉 11/64-40 L=5	SS-4110515- SP	SCREW 11/64-40 L=5	2
6	11131-780	螺钉 3/16-28 L=9	SS-6120930- SP	SCREW 3/16-28 L=9	1
7	09-007-1900	油毛毡	B3509-210- D00	OIL FELT	1
8	GB/T65	螺钉	SM-6040650-TP	SCREW	
9		套管、油绳	135-30357	VINYL PIPE, OIL ROPE	1
11	10-004-185	油线夹	B1419-026-000	OIL WICK PRESSER	3
12	09-012-1900	油线夹	B3506-280-000	OIL WICK PRESSER	1
13	20-1860A	油毛毡	B3507-280-000	FACE FELT	1
15		油线 $\phi 2$	CQ-2000000-00	OIL WICK	2.3M
16	10-010-185	油毡	B3508-280-000	BALANCE LUBRICATING PLATE	2
17	10-009-185	润滑毛毡	10-011-185	NEEDLE ROD CRANK LUBRICATING	2
18	10-011-185	托板	B3518-280-000	BALANCE LUBRICATING	1
19		套管 $\phi 3 \times 0.75$	BP-3000001-00	VINYL TUBE	0.7M
20		套管 $\phi 6 \times 1$	BP-6000000-00	VINYL PIPE	0.72M
21		套管 $\phi 3 \times 1$	CQ-2522000-00	OIL WICK	1.6M
22		油管夹 (扎带3*80)	EA-9500 B01-00	CABLE BAND	2
23	10140-780	螺钉 11/64-40 L=7	SS-4110715- SP	SCREW 11/64-40 L=7	2
24	10-13-185	螺钉 9/64-40 L=21.2	SS-6092120- SP	SCREW 9/64-40 L=21.2	1
25	01-029-185	安全板组件	135-51254	SAFETY PLATE ASM.	1
26	01-037-185	安全板连接架座	135-51205	SAFETY PLATE INSTALLING BASE	1
27	02-002-780	安全板	B3120-372-000	SAFETY PLATE	1
28	02-010-185	安全板连接架	B3121-372-000	SAFETY PLATE INSTALLING PLATE	1
29	02-006-780	扭转弹簧	139-43204	SAFETY PLATE RETURN SPRING	1
30	GB879-76	弹性圆柱销 2*6	PS-0200062-KH	SPRING PIN 2×6	1
31	10203-780	螺钉 11/64-40 L=7	SS-4110715- SP	SCREW 11/64-40 L=7	2
32	10203-780	螺钉 11/64-40 L=7	SS-4110715- SP	SCREW 11/64-40 L=7	2
33	10211-780	螺母 11/64-40	NS-6110310-SP	NUT 11/64-40	1
34	10204-780	垫圈 4.5*10*0.8	WP-0450801-SD	WASHER 4.5×10×0.8	2
35	10205-780	轴位螺钉 D=6 H=10.2	SD-0601021-SP	HINGE SCREW D=6 H=10.2	1
36	10208-780	螺柱	B1506-352-000	TENSION SPRING RACK B	1
37	10142-780	螺母 3/16-28	NS-6120310-SP	NUT 3/16-28	1
38	10207-780	垫圈 7.4*11.8*0.5	WP-0740516-SP	WASHER 7.4×11.8×0.5	1
39	-1900	油盘组件		OIL PAN ASM	1
40		油盘		OIL PAN	1
41		油盘油绳		OIL WICK	1
42		支撑橡胶垫		FRAME SUPPORT RUBBER	2
43		油盘固定螺丝D=3.8 L=20		SCREW D=3.8 L=20	4
44		油盘橡胶塞		RUBBER PLUG	2