

零件手册

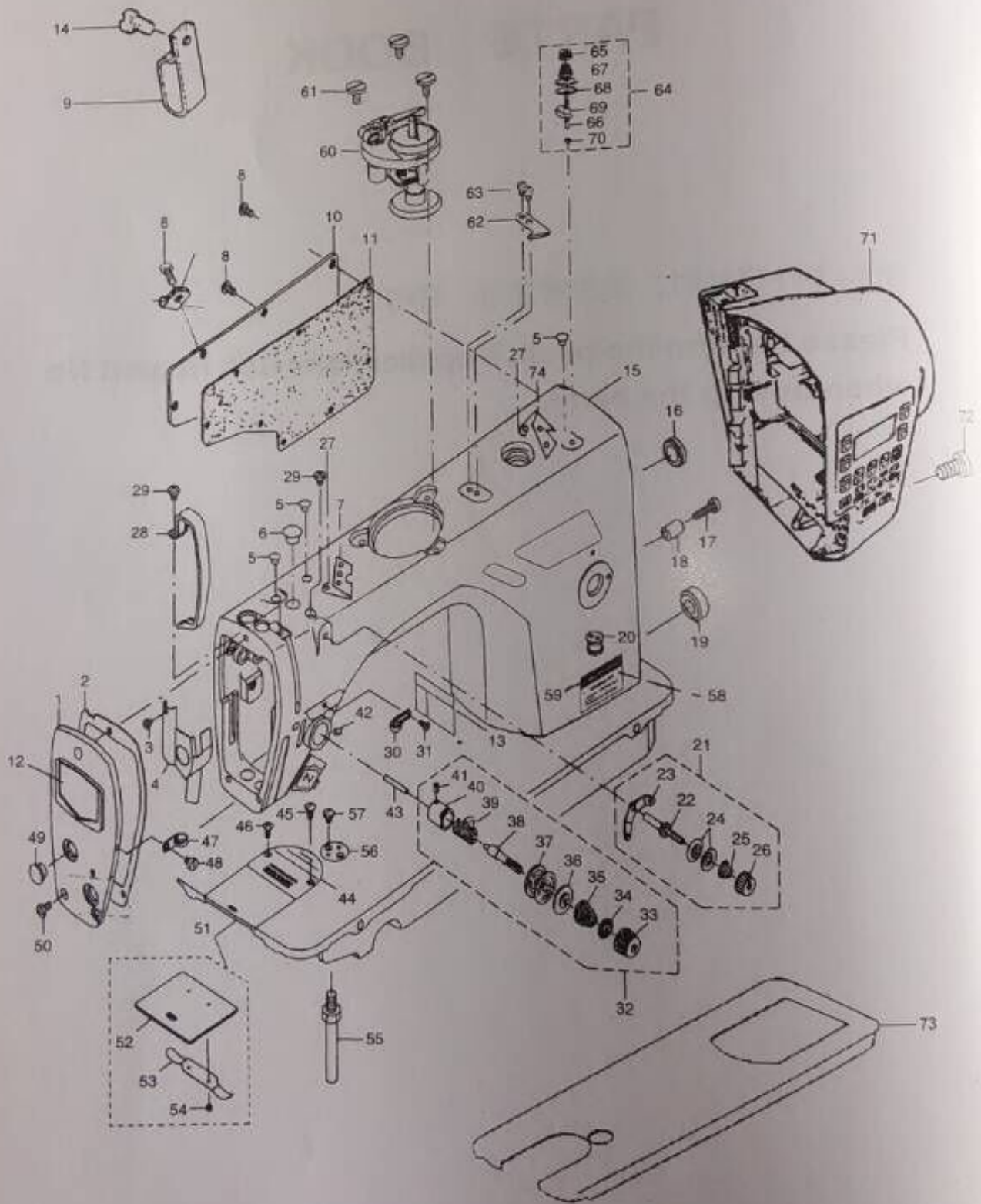
PARTS BOOK

选购零件部件时，请注明序号，件号。

**Please confirm the relative applications Ref. No, part No.
when buying the parts.**

1.机壳·外装部件

MACHINE FRAME & MISCELLANEOUS COVER COMPONENTS



1.机壳·外装部件

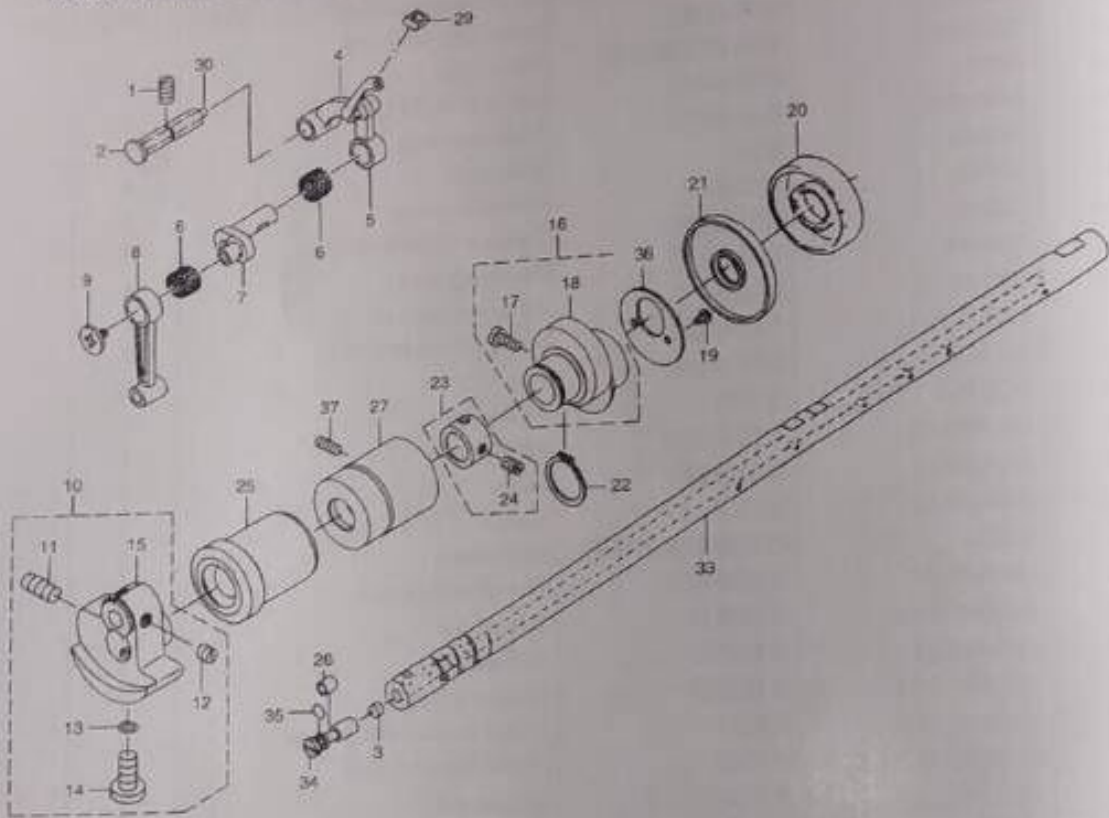
序号 Ref. NO.	件号 Part NO.	名称	Description	数量 Qty	备注 Note
1	GR9890-01	面板	Face plate	1	
2	GR9890-02	面板垫	Face plate agsket	1	
3	GGS44	防油板螺钉	Screw 1/8x44 L=4	1	
4	GR3403	面板防油板部件	Arm oil shifld asm.	1	
5	GR3344	挑线连杆销螺孔塞	Rubber plug	3	
6	GR1463	针杆曲柄螺孔塞	Rubber plug	1	
7	GR9890-42	三孔过线	Three holes thread guide plate	1	
8	GS053	后窗板螺钉	Screw 3/16x28 L=9	7	
9	GR1083-8	导线夹板	Cord holder	1	
10	GK9890-03	后窗板	Side plate	1	
11	GR9890-04	后窗板垫	Gasket	1	
12	GQ277	面板装饰片	Face plate	1	
13	GQ196	安全指示牌	Safety label	1	
14	GS053-8	后窗板螺钉	Screw 3/16x28 L=14	3	
15		机壳	Machine cover	1	
16	GR3345	送料调节器孔塞	Rubber plug	1	
17	GS046	倒缝限位套紧固螺钉	Screw 3/16x28 L=18	1	
18	GO061-8	倒缝限位套	Reverse feed lever stopper	1	
19	GR1464	下轴盲孔塞	Rubber plug	1	
20	GR1005-8	导线过线套	Magnet cord rubber	1	
21	GR9890-29	调线夹线器组件	Thread tension asm.	1	
22	GR7650	调线夹线螺钉	Thread tension post	1	
23	GR7673	调线过线板	Thread tension guide	1	
24	GR1015-8	小夹线板	Thread tension disk	2	
25	GW233-8	小夹线簧	Thread tension spring	1	
26	GS1750	小夹线螺母	Thread tension nut	1	
27	GS551	小夹线器组件螺钉	Screw 11/61 x 40 L=6	1	
28	GK240	挑线杆防护罩	Thread take-up lever cover	1	
29	GS551	挑线杆护罩螺钉	Screw 3/16x28 L=6	3	
30	GR3354	右线钩	Arm thread guide Right	1	
31	GS0552	右线钩螺钉	Screw 11/64x40 L=6	1	
32		夹线器组件	Thread tension asm.	1	
33	GL0113	夹线螺母	Tension nut	1	
34	GR1490	夹线制动板	Rotating stopper	1	
35	GW251	夹线簧	Tension spring	1	
36	GR1489	夹线板	Thread tension disk presser	1	
37	GR1488	夹线板	Thread tension disk	2	
38	GS015	夹线螺钉	Tension post	1	
39	GW250	挑线簧	Take-up spring	1	
40	GR1487	挑线簧调节座	Tension post socket	1	
41	GS016	夹线螺钉紧固螺钉	Screw 9/64x40 L=5.5	1	
42	GS48	夹线器螺钉	Screw 15/64x28 L=7	1	
43	GX567	松线钉	Tension releasing	1	
44	GM202	针板	Throat plate	1	
45	GS044	针板螺钉	Screw 11/64x40 L=6	1	
46	GS044	针板螺钉	Screw 11/64x40 L=6	1	

1.机壳·外装部件

序号 Ref. NO.	件号 Part NO.	名称	Description	数量 Qty	备注 Note
47	GR3355	左线钩	Arm thread guide Left	1	
48	GS0551	左线钩螺钉	Screw 11/64x40 L=6	1	
49	GR1458	面板调节螺孔塞	Ribber plug	2	
50	GS053	面板螺钉	Screw 3/16x28 L=9	3	
51	GM340/4	推板部件	Slide plate asm.	1	
52	GM204	推板	Slide plate	1	
53	GW434	推板簧	Bed slide spring	1	
54	GS045	推板簧螺钉	Screw 3/32x56 L=2.2	2	
55	GS0548	底板支柱	Bed screw stud	4	
56	GR724	夹边器	Ruler stopper	1	
57	GS373	夹边器螺钉	Screw 11/64x40 L=6	2	
58	GX565	型号牌铆钉	Pole	2	
59	GQ276-8	型号牌	Model plate	1	
60	GR9890-40	绕线器组件	Bobbin base	1	
61	GS9890-41	绕线器螺钉	Screw	3	
62	GR9890-26	割线刀	Knife	1	
63	GS226	绕线器割线刀螺钉	Knife screw	2	
64	GR9890-38	夹线器组件	Thread tension asm.	1	
65	GR9890-38-1	夹线螺母	Tension nut	1	
66	GR9890-38-2	夹线螺钉	Tension post	1	
67	GR9890-38-3	夹线弹簧	Tension spring	1	
68	GR9890-38-4	夹线板	Thread tension disk presser	2	
69	GR9890-38-5	过线板	Thread tension guide	1	
70	GR9890-38-6	夹线螺母(下)	Tension nut	1	
71	GR9890-46	电机罩壳	Motor cover	1	
72	GS1769	电机罩紧固螺钉	Screw 3/16 x 28 L=20	3	
73	GR9890-47	不锈钢工作台面	Stainless steel working table	1	
74	GR9890-35	过线导线器	Thread guide plate	1	

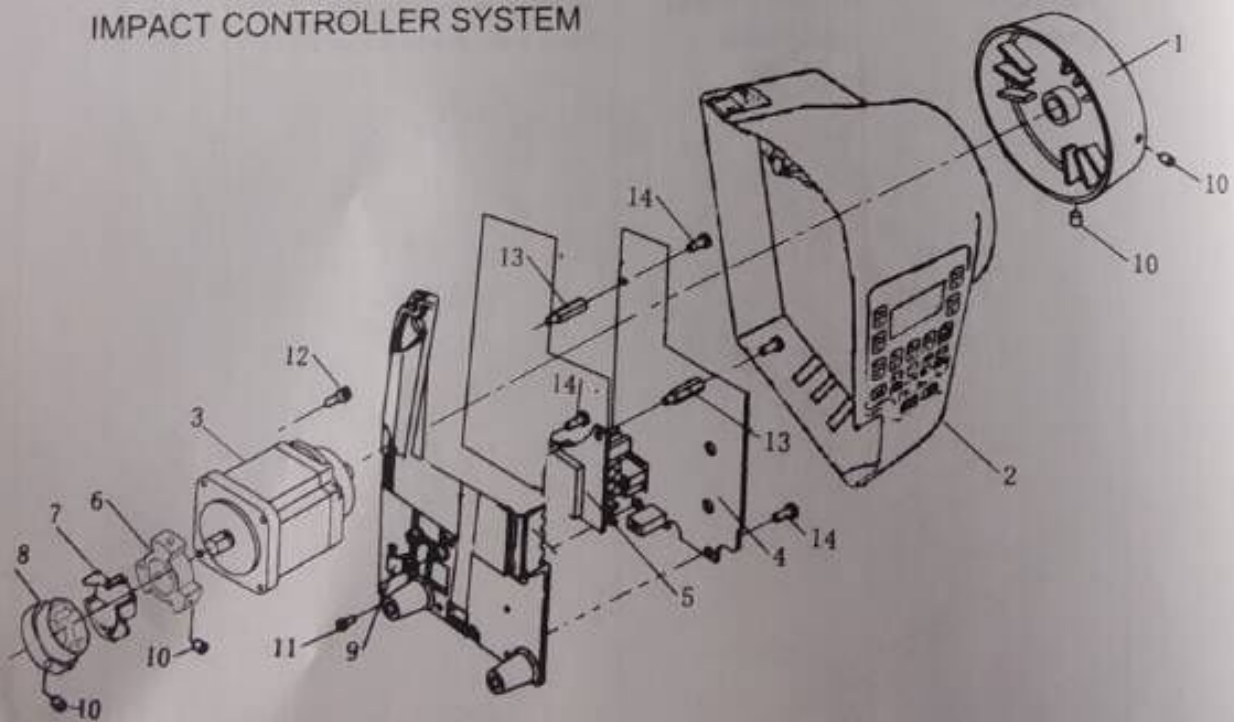
2. 上轴·挑线部件

MAIN SHAFT & THREAD-UP LEVER COMPONENTS



3. 一体式电控系统

IMPACT CONTROLLER SYSTEM



2. 上轴·挑线部件

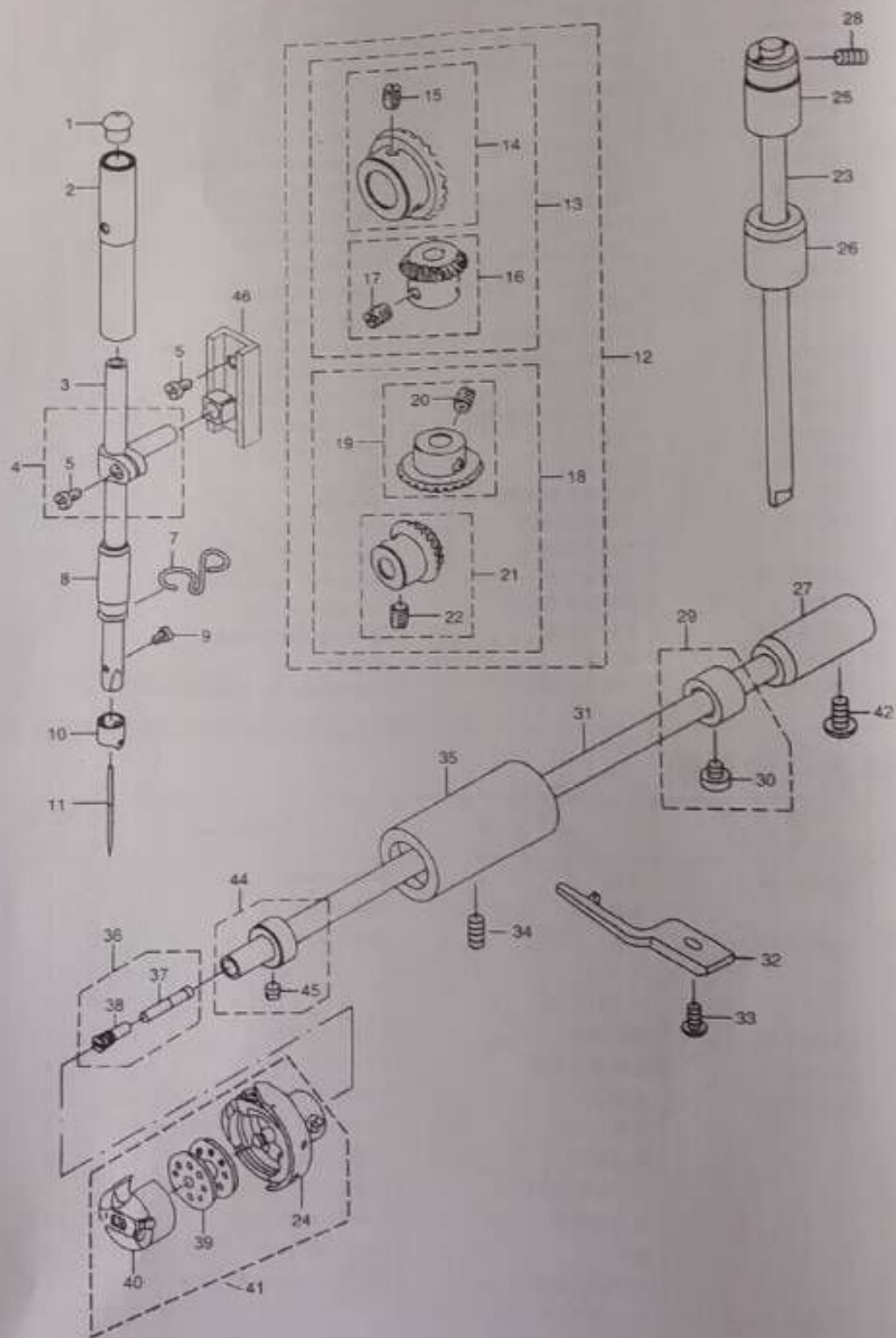
序号 Ref. NO.	件号 Part NO.	名称	Description	数量 Qty	备注 Note
1	GS04	挑线连杆销螺钉	Screw 15/64x28 L=10.5	1	
2	GX566	挑线连杆销	Thread take-up crank shaft	1	
3	GR1470	曲柄油量限制毡	Roller felt	1	
4	GH564/4	挑线连杆	Thread take-up lever	1	
5	GH564/6	挑线连杆分组件	Thread take-up lever asm.	1	
6	GO270	挑线杆滚针轴承	Needle bearing	2	
7	GH402/2	挑线曲柄部件	Needle bar crank	1	
8	GH334	针杆连杆	Needle bar crank rod	1	
9	GS09	挑线曲柄左旋螺钉	Left screw 9/64x40 L=4.8	1	
10	GH561-8	针杆曲柄组件	Counter weight asm.	1	
11	GD0550	针杆曲柄紧固螺钉	Screw 9/32x28 L=16	1	
12	GD39	挑线曲柄定位螺钉	Screw 1/4x40 L=6	2	
13	GR1472	定位螺钉O型圈	Rubber ring	1	
14	GD06	针杆曲柄定位螺钉	Screw 9/32x28 L=15.5	1	
15	GH9890-65	针杆曲柄	Counter weight	1	
16		送料偏心轮组件	Feed drive eccentric cam asm.	1	
17	GD034	送料偏心轮螺钉	Screw 1/4x40 L=11	2	
18	GT198	送料偏心轮	Feed drive eccentric cam	1	
19	GD011	送料偏心轮盖板螺钉	Screw 9/64x40 L=6	2	
20	GR9890-11	轴承 (6907Z)	Needle bearing	1	
21	GR9890-09	上轴油封	Oil seal	1	
22	GR1535	抬牙连杆轴挡圈	Snap ring	1	
23	GR1469	上轴挡圈组件	Thrust collar asm.	1	
24	GS39	上轴挡圈螺钉	Screw 1/4x40 L=6	2	
25	GO9890-06	上轴前轴套	Main shaft front bushing asm.	1	
26	GO296	曲柄油量调节销	Oil adjusting collar	1	
27	GO9890-07	上轴中轴套	Bushing, intermediate	1	
29	GR9890-22	橡皮套	Rubber	1	
30	GR3350	挑线连杆销毛毡	Thread take-up crank shaft felt	1	

3. 一体式电控系统

序号 Ref. NO.	件号 Part NO.	名称	Description	数量 Qty	备注 Note
1	GP9890-45	手轮	Hand wheel	1	
2		电机壳	Belt cover	1	
3	GR9890.36	电机	Motor asm	1	
4		PCB1		1	
5		PCB2		1	
6	GR9896.30	连轴器A	Connect block A	1	
7	GR9896.32	连轴器橡胶圈	Connect rubber	1	
8	GR9896.31	连轴器B	Connect block B	1	
9		电源压线板	Electricity line pressing board	1	
10		紧定螺钉	Holding screw	8	
11		十字组合螺钉	Cross recess head screw	2	
12		内六角螺钉	Socket head screw	3	
13		铜柱	Copper cylinder	2	
14		十字组合螺钉	Cross recess head screw	5	

4. 针杆 · 竖轴 · 下轴部件

NEEDLE BAR, UPRIGHT SHAFT & HOOK DRIVING SHAFT COMPONENTS

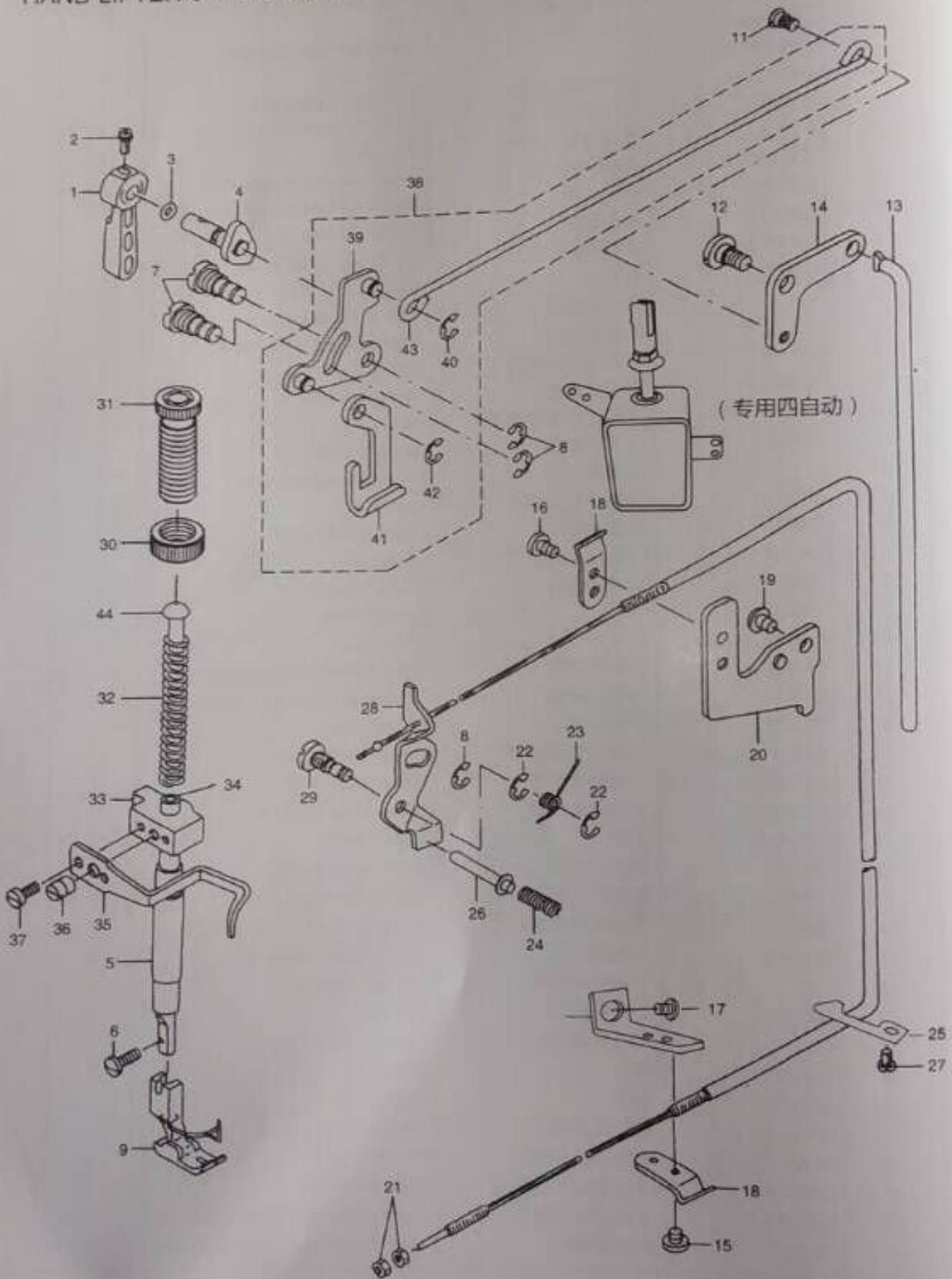


4. 针杆 · 竖轴 · 下轴部件

序号 Ref. NO.	件号 Part NO.	名称	Description	数量 Qty	备注 Note
1	GR1479	针杆上孔塞	Cap	1	
2	GO9890-17	针杆上套	Needle bar bushing upper	1	
3	GZ9890-16	针杆	Needle bar	1	
4	GR1478	针杆连接柱组件	Needle rod holder asm.	1	
5	GS011	针杆连接柱螺钉	Screw 9/64x40 L=7.5	3	
6	GU168	针杆连接柱滑块	Slide block	1	
7	GR9890-18	针杆下套线钩	Needle bar thread guide	1	
8	GO272	针杆下套	Needle bar bushing, lower	1	
9	GS071	机针螺钉	Screw 1/8x44 L=4.8	1	
10	GR3352	针杆线钩	Needle bar thread guide	1	
11	GV15	机针	Needle DBX1 #14	1	
12		伞齿轮组件	Gear & pinion asm.	1	
13		上齿轮组件	Gear & pinion asm., upper	1	
14	GC168	上轴伞齿轮组件	Gear asm.	1	
15	GS033	伞齿轮螺钉	Screw 1/4x40 L=8	2	
16	GC167	竖轴上伞齿轮组件	Pinion asm.	1	
17	GS033	伞齿轮螺钉	Screw 1/4x40 L=8	2	
18		下齿轮组件	Gear&pinion asm., lower	1	
19	GC166	竖轴下齿轮组件	Gear asm.	1	
20	GS033	伞齿轮螺钉	Screw 1/4x40 L=8	2	
21	GC165	下轴伞齿轮组件	Pinion asm.	1	
22	GS033	伞齿轮螺钉	Screw 1/4x40 L=8	2	
23	GZ435	竖轴	Upright shaft	1	
24	GN161	旋梭	Hook asm.	1	
25	GO472	竖轴上轴套	Upright shaft bushing, upper	1	
26	GO471	竖轴下轴套	Upright shaft bushing, lower	1	
27	GO470	下轴后轴套	Bushing rear	1	
28	GS053	竖轴上套紧固螺钉	Screw 3/16x28 L=7	1	
29	GR1519-8	下轴挡圈组件	Thrust collar asm.	1	
30	GS082-8	下轴挡圈螺钉	Screw 11/64x40 L=5	2	
31	GZ434-8	下轴	Lower shaft	1	
32	GR3371	旋梭定位钩	Bobbin case holder	1	
33	GS030-8	旋梭定位钩螺钉	Screw 11/64x40 L=9.5	1	
34	GS0559	下轴前轴套螺钉	Screw 3/16x28 L=7	1	
35	GO1002	下轴前轴套	Lower shaft front metal	1	
36		下轴限油组件	Oil seal screw asm.	1	
37	GR1515	下轴限油芯	Oil wick	1	
38	GS031	下轴限油螺钉	Oil seal screw	1	
39	GN163	梭心	Bobbin	1	
40	GN162	梭壳	Bobbin case	1	
41	GN161	旋梭梭壳组件	Hook bobbin case asm.	1	
42	GO053	下轴后轴套螺钉	Screw 3/16x28 L=13	1	
43	GR0341	针杆连接柱滑块座	Slide block base	1	
44	GR3372-7	下轴挡油圈组件	Lower shaft oil deflector asm	1	
45	GS210	挡油圈螺钉	Oil deflector screw 11/64 x 40 L=3.5	2	

5. 压杆部件

HAND LIFTER COMPONENTS

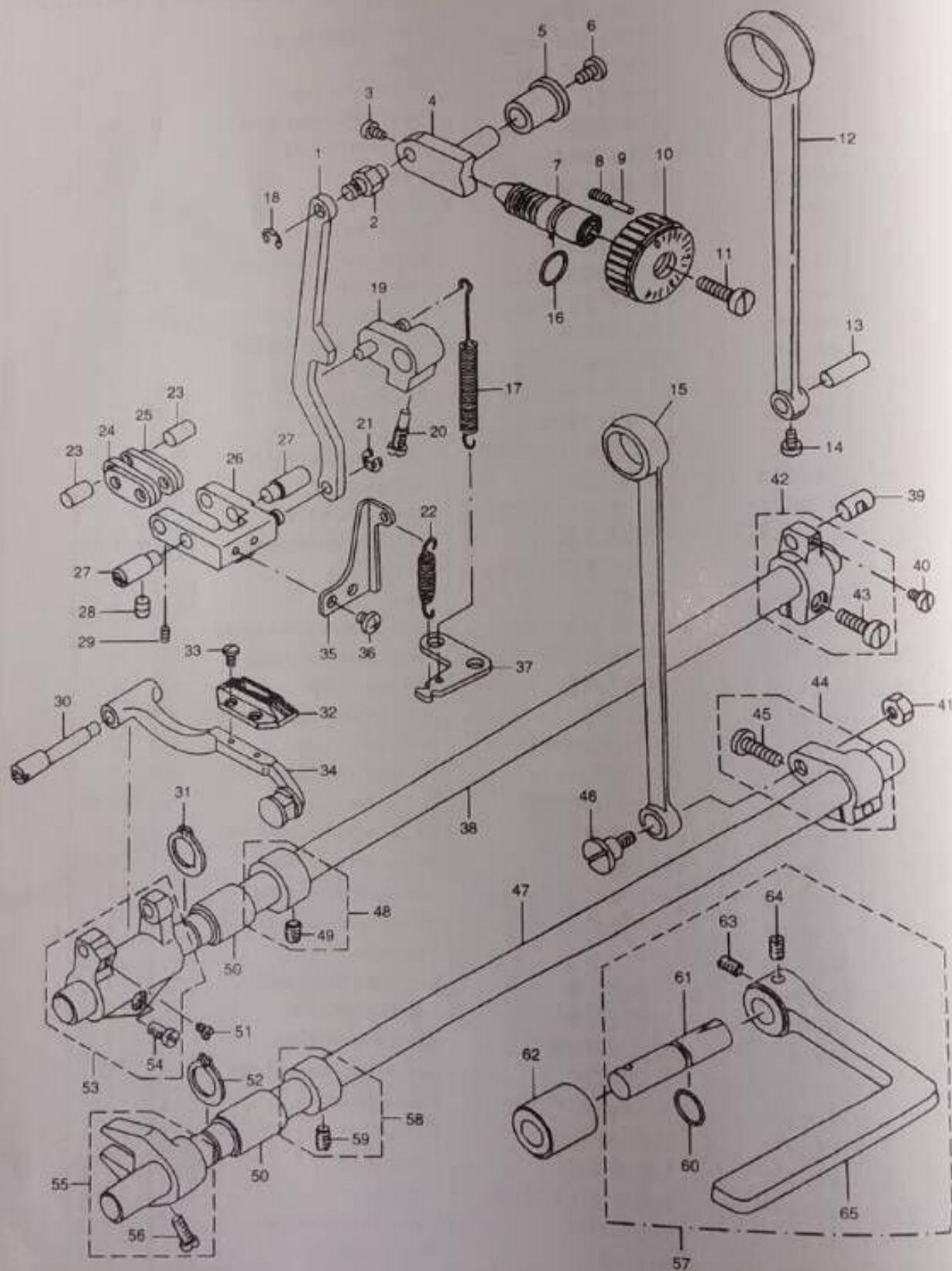


5. 压杆部件

序号 Ref. NO.	件号 Part NO.	名称	Description	数量 Qty	备注 Note
1	GR3360	压脚扳手	Hand lifter	1	
2	GS0554	压脚扳手螺钉	Screw 9/64x40 L=10	1	
3	GR1503	压脚扳手轴O型圈	Rubber ring	1	
4	GR336/2	压脚扳手凸轮部件	Hand lifter cam asm.	1	
5	GO273	压杆轴套	Presser bar bushing lower	1	
6	GS020	活压脚螺钉	Screw 9/64x40 L=8	1	
7	GS0555	前杠杆螺纹销	Link shaft	2	
8	GR1510	螺纹销开口挡圈	E-ring 5	3	
9	GM200/5	活压脚部件	Presser foot asm.	1	
10		下压线底板	Wire holder bracket, lower	1	
11	GS0558	抬压脚拉杆螺钉	Hinge screw	1	
12	GS0557	后杠杆轴拉螺钉	Hinge screw	1	
13	GR3370	抬压脚顶杆	Knee lifter connecting rod	1	
14	GR3369	抬压脚后杠杆	Lifting lever link	1	
15	GS010	下压板紧固螺钉	Screw 11/64x40 L=5	1	
16	GS336-8	上压板紧固螺钉	Screw 11/64x40 L=5	1	
17		下压板组件紧固螺钉	Screw 15/64x28 L=14.5	1	
18	GR1017-8	拉线活压板	Wire holder	2	
19	GS310-8	上压板组件紧固螺钉	Screw 3/16x28 L=6	1	
20	GR1016-8	上压线底板	Wire holder bracket, upper	1	
21	GL6	拉线钮距调节螺母	Nut 3/16x32	2	
22	GR1510	螺纹销开口挡圈	E-ring 5	2	
23	GW433	松线顶板复位簧	Tension release return spring	1	
24	GW432	松线辅钉弹簧	Thread release pin spring	1	
25		软管右挡板	Wire cable holder	1	
26	GX568	松线辅钉	Tension release supporting pin	1	
27		右挡板紧固螺钉	Screw 3/16x28 L=6	1	
28	GR9890-50	松线顶板	Thread tension release wire	1	
29	GS0556	松线顶板螺纹销	Tension release shaft	1	
30	GL0114	调压螺母	Presser adjusting screw nut	1	
31	GS0553-8	调压螺钉	Presser spring regulator	1	
32	GW253	调压簧	Presser adjusting spring	1	
33	GR3358-8	压杆导架	Presser bar guide bracket	1	
34	GZ275	压杆	Presser bar	1	
35	GR9890-56	缓线调节钩	Presser bar thread guide	1	
36	GS033	压杆导架螺钉	Screw 1/4x40 L=8	1	
37	GS0100	缓线调节钩螺钉	Screw 9/64x40 L=8	2	
38		前杠杆组件	Knee lifting cross rod asm	1	
39	GR3364/3	抬压脚前杠杆部件	Hand lifter link	1	
40	GR1510	拉杆开口挡圈	E-ring 5	1	
41	GR3363	压脚升降板	Lifting lever	1	
42	GR3366	升降板连接开口挡圈	E-ring 5	1	
43	GR3368	抬压脚拉杆	Knee lifting cross rod	1	
44	GR1494	调压导杆	Presser guide bar	1	

6.送料部件

FEED MECHANISM COMPONENTS

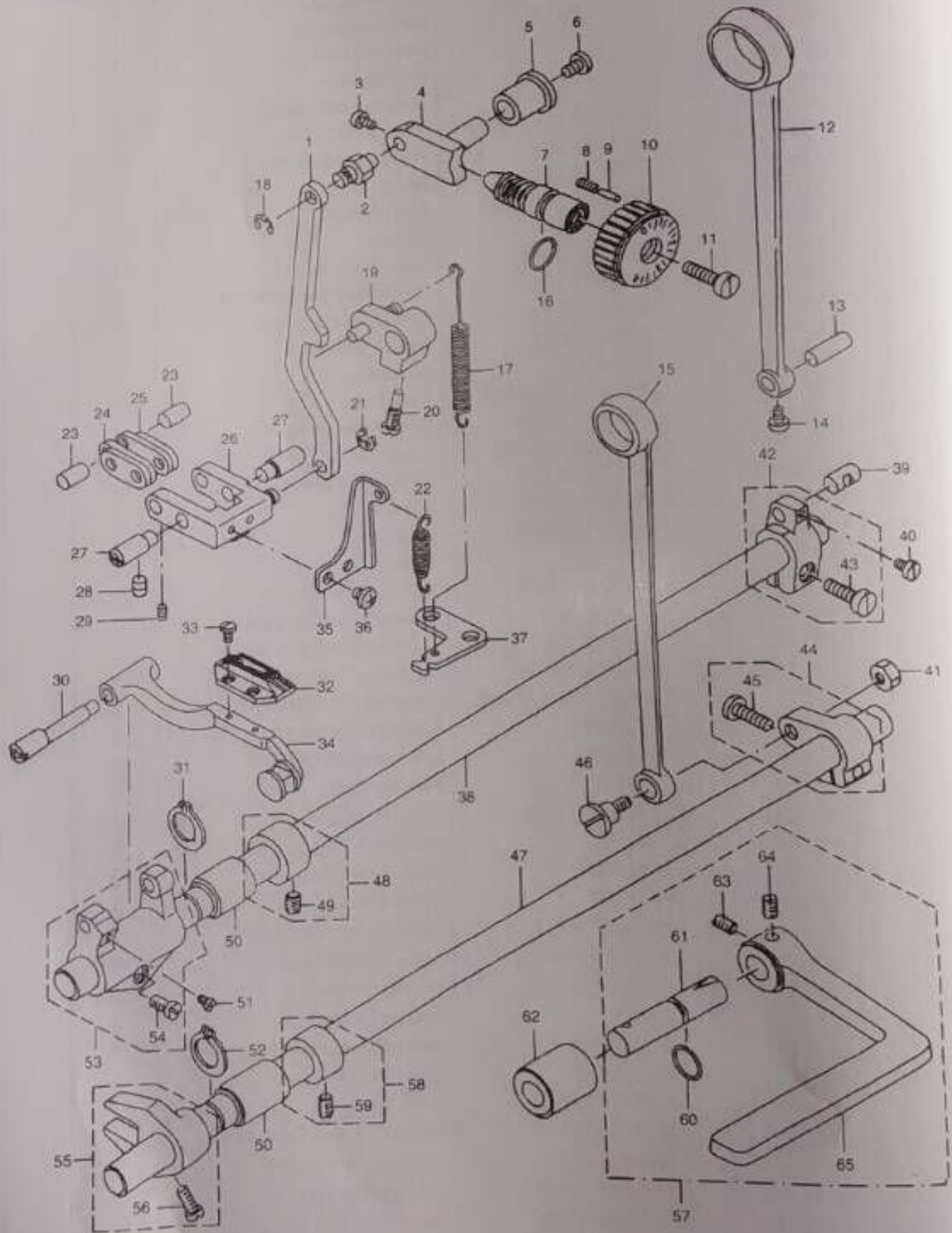


6. 送料部件

序号 Ref. NO.	件号 Part NO.	名称	Description	数量 Qty	备注 Note
1	GH9890-24	倒送料连杆	Feed adjust rod	1	
2	GX9890-25	倒送料连杆销	Feed regulator pin	1	
3	GS011	连杆销螺钉	Screw 9/64x40 L=6	2	
4	GR3384	送料调节器	Feed regulator	1	
5	GO474	送料调节器轴套	Feed regulator bushing	1	
6	GSO565	送料调节器紧固螺钉	Screw 3/16x28 L=7	1	
7	GS9890-23	送料调节螺栓	Feed regulator screw	1	
8	GW257	送料距锁合簧	Spring	1	
9	GX576	送料距锁合销	Feed adjust pin	1	
10	GR3382-8	送料距旋钮	Feed dial	1	
11	GS0563	送料距旋钮螺钉	Screw 3/16x28 L=18	1	
12	GH568	送料连杆	Rocker shaft connecting rod	1	
13	GX570	送料连杆销	Walking foot long pin	1	
14	GSO560	送料连杆螺钉	Screw 9/64x40 L=4	1	
15	GH572	抬牙连杆	Connecting rod	1	
16	GR3383	送料调节螺栓O型圈	Rubber ring	1	
17	GW436	摆动板座复位簧	Feed reverse spring	1	
18	GR1510	倒送料连杆销挡圈	E-ring 5	1	
19	GH547/2	倒送料曲柄组件	Feed reverse arm asm.	1	
20	GS2566	倒送料曲柄螺钉	Screw	1	
21	GR1510	倒送料连杆挡圈	E-ring 5	1	
22	GW435	倒送料拉簧	Spring	1	
23	GX571	短摆动板连接销	Walking foot short pin	2	
24	GR3374	送料长摆动板	Connecting link long pin	2	
25	GR3775	送料短摆动板	Connecting link short pin	2	
26	GR3376/2-8	送料摆动板座组件	Feed adjust link asm.	1	
27	GX573	送料摆动板座左右销	Adjusting link fulcrum shaft	2	
28	GS48	左右销螺钉	Screw 15/64x28 L=7	2	
29	GSO560	连杆销螺钉	Screw 9/64x40 L=4	2	
30	GX575	牙架销	Feed bar shaft	1	
31	GR1524	送料轴轴用挡圈	Retaining ring	1	
32	GM201	送料牙	Feed dog 1	1	
33	GS072	送料牙螺钉	Screw 1/8x44 L=6	2	
34	GR3380/5-8	牙架部件	Feed bar asm.	1	
35	GR3388	摆动板座复位板	Adjusting link spring guide	1	
36	GS0567	复位板紧固螺钉	Screw 11/64x40 L=5	2	
37	GR3387	拉簧固定板	Feed spring hood	1	
38	GZ436	送料轴	Feed rocker shaft	1	
39	GX571	送料曲柄销	Walking foot middle pin	1	
40	GS0560	曲柄销螺钉	Screw 9/64x40 L=6	1	
41	GL7	抬牙连杆轴位螺母	Nut 9/32x28	1	
42	GH569	送料曲柄组件	Feed rocker shaft crank asm.	1	
43	GS0561	送料曲柄螺钉	Screw 3/16x28 L=15.5	1	
44	GH571	抬牙后曲柄组件	Lifting rocker asm.	1	
45	GS0561	抬牙后曲柄螺钉	Screw 3/16x28 L=14	1	
46	GS0562	抬牙连杆轴位螺钉	Hinge screw	1	

6.送料部件

FEED MECHANISM COMPONENTS

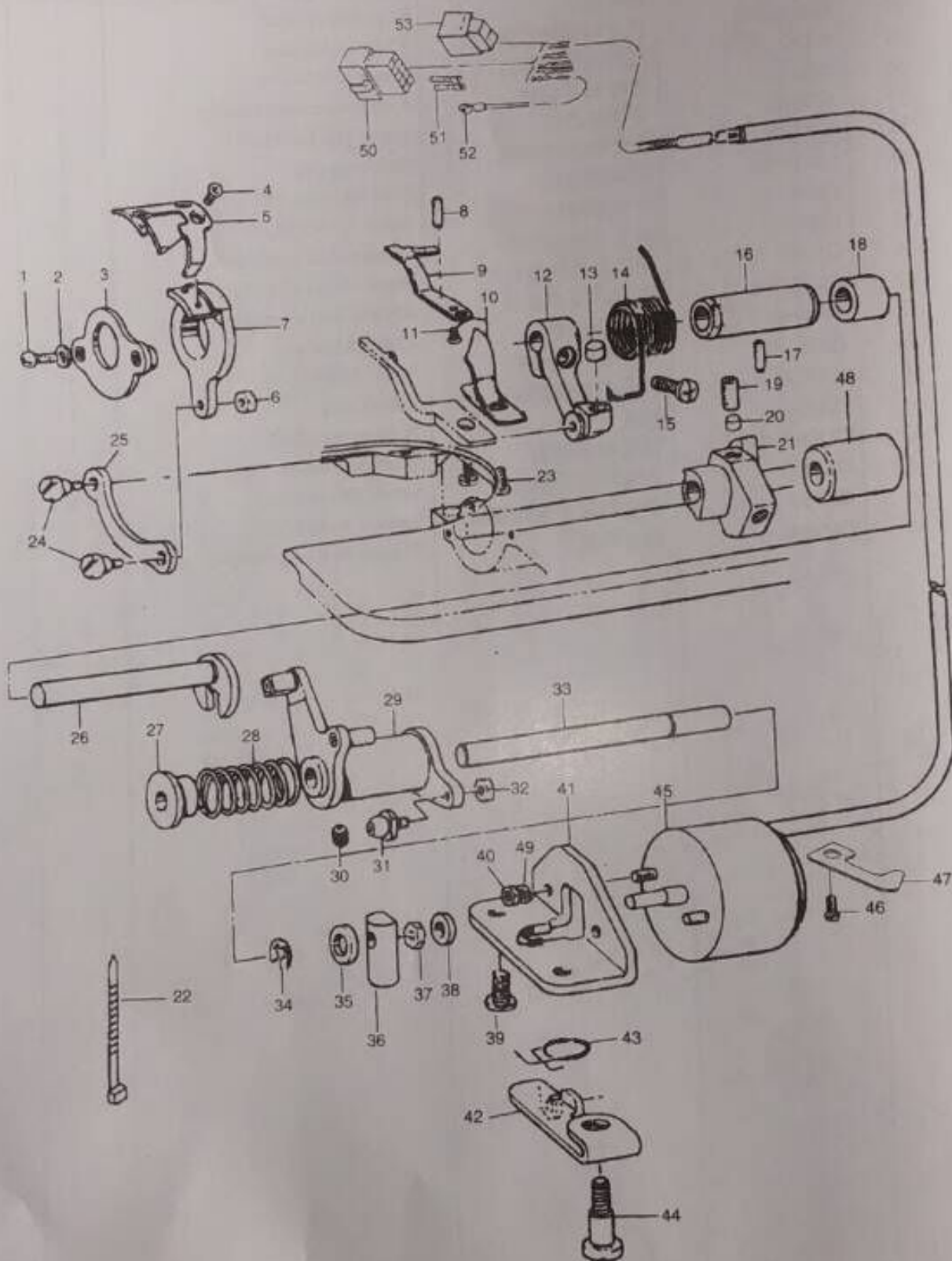


6. 送料部件

序号 Ref. NO.	件号 Part NO.	名称	Description	数量 Qty	备注 Note
47	GZ437	拾牙轴	Feed driving shaft	1	
48	GR1469	拾牙轴挡圈组件	Thrust collar asm.	1	
49	GS39	送料轴挡圈螺钉	Screw 1/4x40 L=6	1	
50	GO473	送料轴前轴套	Feed rocker shaft bushing	2	
51	GS092	牙架销螺钉	Screw 11/64x40 L=7	2	
52	GR1524	拾牙轴轴用挡圈	Retaining ring	1	
53	GR3379-8	牙架座组件	Feed bar crank asm.	1	
54	GS69	牙架座螺钉	Screw 3/16x28 L=14	1	
55	GH570	拾牙叉曲柄组件	Driving shaft crank asm.	1	
56	GS037	拾牙叉曲柄螺钉	Screw 11/64x40 L=10.5	1	
57	GR3386-8	倒送料扳手组件	Reverse feed control lever asm.	1	
58	GR1469	拾牙轴挡圈	Thrust collar asm.	1	
59	GS39	拾牙轴挡圈螺钉	Screw 1/4x40 L=6	2	
60	GR3385	倒送料轴O型圈	Rubber ring	1	
61	GZ438	倒送料轴	Feed reverse shaft	1	
62	GO9890-57	倒送料轴轴套	Feed lever metal	1	
63	GS033	倒送料扳手螺钉	Screw 1/4x40 L=8.5	1	
64	GS050	倒送料扳手定位螺钉	Screw 1/4x40 L=10	1	
65	GR9890-64	倒送料扳手	Reverse feed control lever	1	

7. 自动切线部件

THREAD TRIMMER COMPONENTS

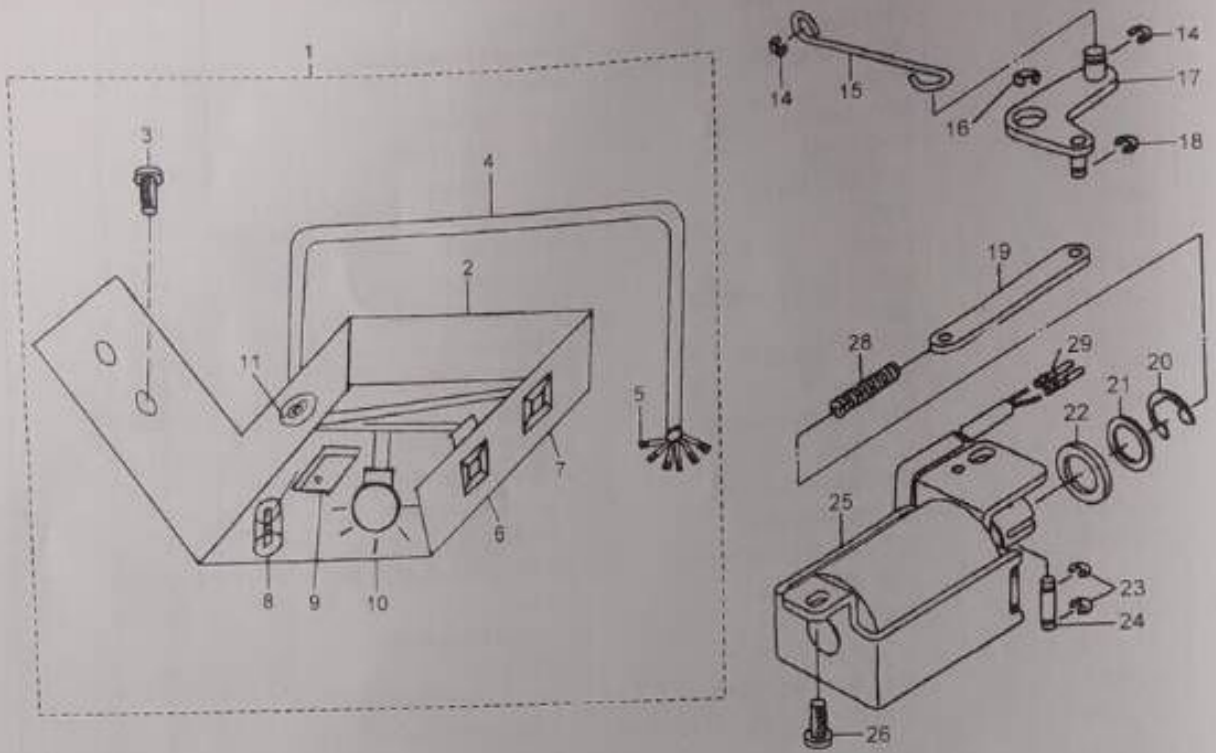


7.自动切线部件

序号 Ref. NO.	件号 Part NO.	名称	Description	数量 Qty	备注 Note
1	GS832	螺钉SM11/64"x40 L=12	Screw SM11/64x40 L=12	2	
2	GR7662	牙架座螺钉垫圈	Washer	2	
3	GR7661	刀架压板组件	Partiality shank asm.	1	
4	GS175	活动刀固定螺钉	Screw	2	
5	GR7663	活动刀	Motornal knife	1	
6	GL650	螺母 SM11/64"x40	Nut SM11/64x40	1	
7	GR7660	剪线刀架	Knife bracket	1	
8	GS9890-27	定刀调节螺钉	Screw	1	
9	GR7656	割线刀	Secant knife	1	
10	GR7658	护针片	Protect needle patch	1	
11	GS1755	螺钉 SM9/64"x40 L=4	Screw SM9/64x40 L=4	1	
12	GH1001	曲柄	Thread shear rock arm	1	
13	GR7664	驱动曲柄止动块	Positioning block	1	
14	GW951	弹簧	Spring	1	
15	GS1760	螺钉 SM3/16"x32 L=14	Screw SM3/16x32 L=14	2	
16	GO1001	切线轴套	Thread shear cam rock arm assy	1	
17	GS1761	螺钉 SM11/64"x40	Screw SM11/64x40	1	
18	GO1000	驱动曲柄轴衬套	Short bush	1	
19	GS1754	螺钉 SM1/4"x40 L=10	Screw SM1/4x40 L=10	1	
20		凸轮顶柱	Pole	2	
21	GR7656	凸轮	Thread shear cam	1	
22		尼龙扎带	Bale band	1	
23	GS788	螺钉 SM9/64"x40 L=5	Screw SM9/64x40 L=5	1	
24	GS1759	连杆螺钉 SM11/64"x40 L=5.5	Screw SM11/64x40 L=5.5	2	
25	GH1000	连杆	Knife shaft connecting rod	1	
26	GZ850	切线凸轮曲柄轴	Thread shear rock arm shaft	1	
27	GR7667	扭簧端盖	Spring cover	1	
28	GW952	弹簧	Spring	1	
29	GR7665	剪线驱动组件	Thread shear rock arm shaft	1	
30	GS189	螺钉 SM11/64"x40	Screw SM11/64x40	1	
31	G7666	滚柱	Rooll shaft assy	1	
32	GL650	螺母	Nut	1	
33	GZ851	轴	Thread shear shaft	1	
34	GR7669	挡圈	Retaining ring	1	
35	GR7668	电磁铁缓冲垫	Magnetic plug cushion mat	1	
36	GR7672	切线电磁铁顶销	Magnetic plug pin	1	
37	GL652	螺母 SM1/4"x40	Nut SM1/4x40	1	
38	GR7671	垫圈	Washer	1	
39	GS1763	油泵安装螺钉	Screw	1	
40	GKL201-8	螺母 M4	Nut M4	2	
41	GR7670	切线磁铁支架	Magnetic plug cushion mat	1	
42	GR7677	松线座	Thread loose seat	1	
43	GWS953	弹簧	Spring	1	
44	GS1764	螺钉 SM1/4"x28 L=13	Screw SM1/4x28 L=13	1	
45	GQ785	剪线电磁铁组件	Magnetic plug	1	
46	GR3400-7	螺钉 SM15/64"x28 L=14.5	Screw SM15/64x28 L=14.5	1	
47	GS525-8	旋梭供油管压板	Electrical plug breacker washer	1	
48	GO1003	下轴中套	Bushing,lower shaft	1	
49	GKR202	垫圈4.5x8x0.5	Washer 4.5x8x0.5	2	
50	GR8800-61	14孔接线器	14 holes thread connector	1	
51	GR9890-78	接线端子	Conncting terminal	1	
52	GR8800-60	地线接头	Groundwire terminel	1	
53	GR9890-70	LED灯接线器	LED light's wire connector	1	

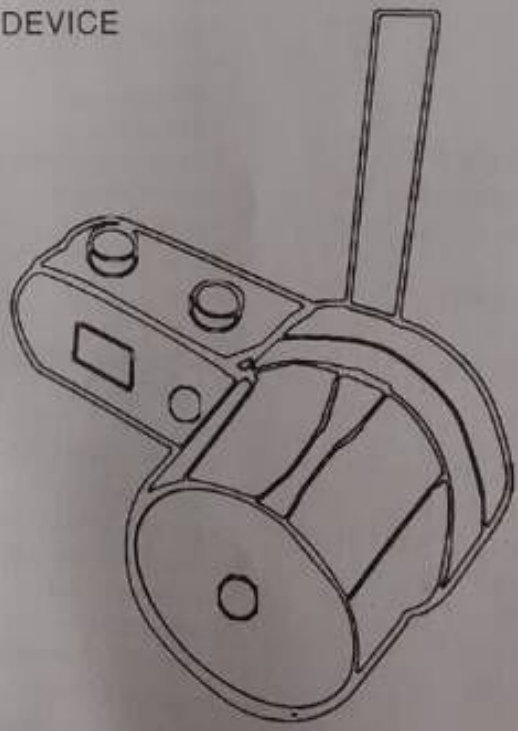
8. 自动倒缝部件

AUTOMATIC REVERSE FEED COMPONENTS



9. 夹线器

THREAD CLAMP DEVICE



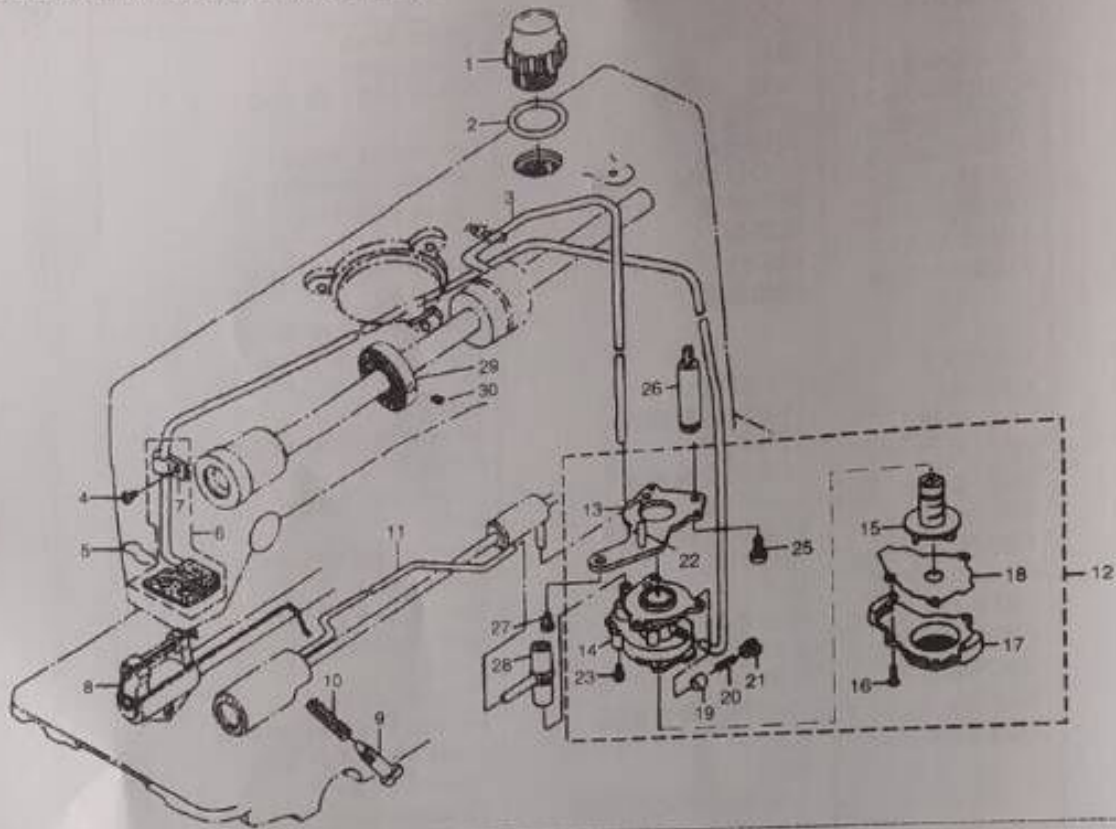
8. 自动倒缝部件

序号 Ref. NO.	件号 Part NO.	名称	Description	数量 Qty	备注 Note
1	GR9890-33	开关组件	Switch block	1	
2	GR9890-51	开关罩壳	Switch cover	[1]	
3	GS053	螺钉	Screw 3/16 x 28 L=9	[1]	
4	GR9890-33-1	电线	Wire	[1]	
5	GR9890-33-2	接线端子	Connecting terminal	[1]	
6	GR9890-33-3	倒缝按钮	Reverse feed button	[1]	
7	GR9890-33-4	LED灯按钮	LED light button	[1]	
8	GR9890-33-5	翻抬开关	Switch	[1]	
9	GR9890-33-6	电路板	Circuit board	[1]	
10	GR9890-33-7	LED灯	LED light	[1]	
11	GR9890-33-8	过线胶套	Thread guide cover	[1]	
12					
13					
14	GR625-8	开口挡圈	E-ring 5	2	
15	GR7687	自动倒送料拉杆	Reverse feed connecting shaft	1	
16		开口挡圈	E-ring 9	1	
17	GH1002	自动倒送料曲柄	Connecting arm asm.	1	
18	GR1028-8	开口挡圈	E-ring 4	1	
19	GR7691	自动倒送料连杆	Reverse feed connecting link	1	
20	GR1027-8	开口挡圈	E-ring 12	1	
21	GO363-8	垫片	Washer 16 x 24 x 2.6	1	
22	GO362-8	橡皮垫片	Rubber plunger	1	
23	GR1028-8	开口挡圈	E-ring 4	2	
24	GR7692	连杆销	Plunger arm pin	1	
25	GQ796	自动倒送料点磁铁	Reverse feed magnet asm.	1	
26	GS525-8	螺钉	Screw 15/64 x 28 L=12	2	
27		螺钉	Screw 3/16 L=9	1	
28		自动倒送料连杆顶簧	Plunger spring	1	
29		电线插针	Pin contact	2	
30		螺钉	Screw 3/16 x 28 L=6	1	

9. 夹线器

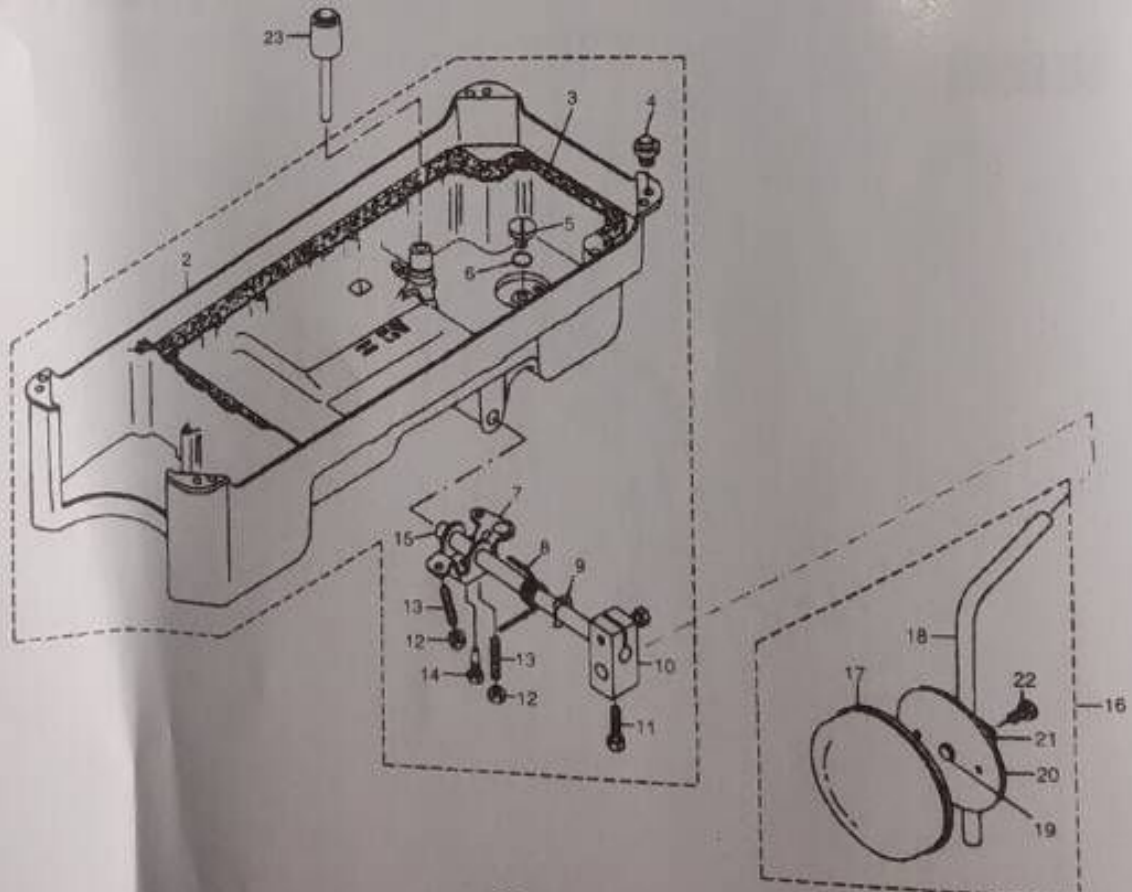
10. 润滑部件

OIL LUBRICATION COMPONENTS



11. 油盘部件

OIL RESERVOIR COMPONENTS



10. 润滑部件

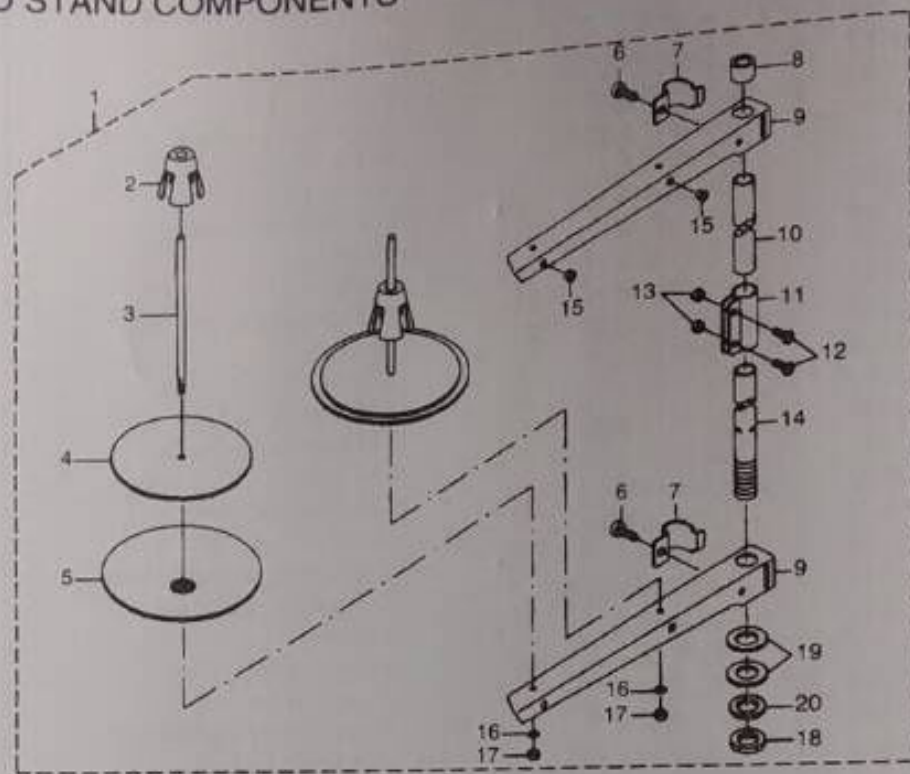
序号 Ref. NO.	件号 Part NO.	名称	Description	数量 Qty	备注 Note
1	GR1561-8	油窗	Oil sight window	1	
2	GR1562	油窗O型圈	Rubber ring	1	
3	GR3398	上轴供油管	Main shaft oil tube	1	
4	GR0551	回油管夹螺钉	Screw 3/16x28 L=6	1	
5	GR1569	回油毡夹	Oil felt presser	1	
6	GR3401	回油管组件	Oil return tube asm	1	
7	GR1566	回油管夹	Holder	1	
8	GR3378	送料轴油线	Oil wick	1	
9	GS054-8	旋梭油量调节螺钉	Oil adjusting screw	1	
10	GW259-8	旋梭油量调节簧	Spring	1	
11	GR3399-8	旋梭供油管	Oil tube	1	
12	GR3389/12	油泵部件	Lubricating oil pump asm	1	
13	GR3390	油泵安装板	Oil pump installing base	1	
14	GR3391	油泵体	Oil pump	1	
15	GR3392	油泵叶轮	Oil pump impeller	1	
16	GS554	油泵盖螺钉	Screw D=3 L=10	3	
17	GR3394	油泵盖	Lubricating oil pump cover	1	
18	GR3393	油泵叶轮托板	Oil pump impeller cover	1	
19	GR3396	回油柱塞	Plunger	1	
20	GW437	柱塞簧	Plunger spring	1	
21	GS0569	柱塞螺钉	Plunger screw	1	
22	GR3395	下轴供油管	Hook driving shaft oil tube	1	
23	GS0568	油泵安装螺钉	Screw M3 L=8	3	
24	GS030	螺柱连接螺钉	Screw 11/64x40 L=9.5	1	
25	GS0567-8	油泵连接螺柱	Oil pump support, large	1	
26	GS062	油泵螺钉	Screw 15/64x28 L=12	1	
27	GR3397	供油管接头	Rubber joint	1	
28	GS9890.39	绕线器驱动轮	Bobbin pulley	1	
29	GS1761	绕线器驱动轮螺钉	Screw	2	

11. 油盘部件

1	GR3405/17	油盘部件	Oil reservoir asm	1	
2	GR3406	油盘	Oil reservoir	1	
3	GR3407	油盘垫	Oil reservoir gasket	1	
4	GR3408	机头座垫	Rubber cushion	4	
5	GS0571	排油孔螺钉	Screw 5/16x24 L=7	1	
6	GR3409	排油孔螺钉O型圈	Rubber ring	1	
7	GH576	抬压脚双向曲柄	Knee lifting rotating arm	1	
8	GW438	双向曲柄扭簧	Spring	1	
9	GR1583	抬压脚轴开口挡圈	E-ring 10	1	
10	GR3410	抬压脚操纵杆节头	Vertical shaft fitting arm	1	
11	GS0573	操纵杆节头螺钉	Screw	2	
12	GL21	双向曲柄限位调节螺母	Nut M6	2	
13	GS057	双向曲柄限位调节螺钉	Screw M6 L=30	2	
14	GS0572	双向曲柄螺钉	Screw M6 L=17.5	1	
15	GZ439	抬压脚轴	Knee press cross shaft	1	
16	GR3411/6	操纵杆部件	Knee pan plate asm	1	
17	GKR13	操纵杆软垫	Knee pan plate cover	1	
18	GR1586	操纵杆	Knee pan upright shaft	1	
19	GR3413	操纵杆垫	Knee pan plate rubber	1	
20	GR3412	操纵板	Knee pan plate	1	
21	GR3414	操纵杆节头	Knee pan plate support	1	
22	GS584	节头螺钉	Screw M6 L=12	1	
23	GH579	抬压脚顶销	Knee lifter push rod	1	

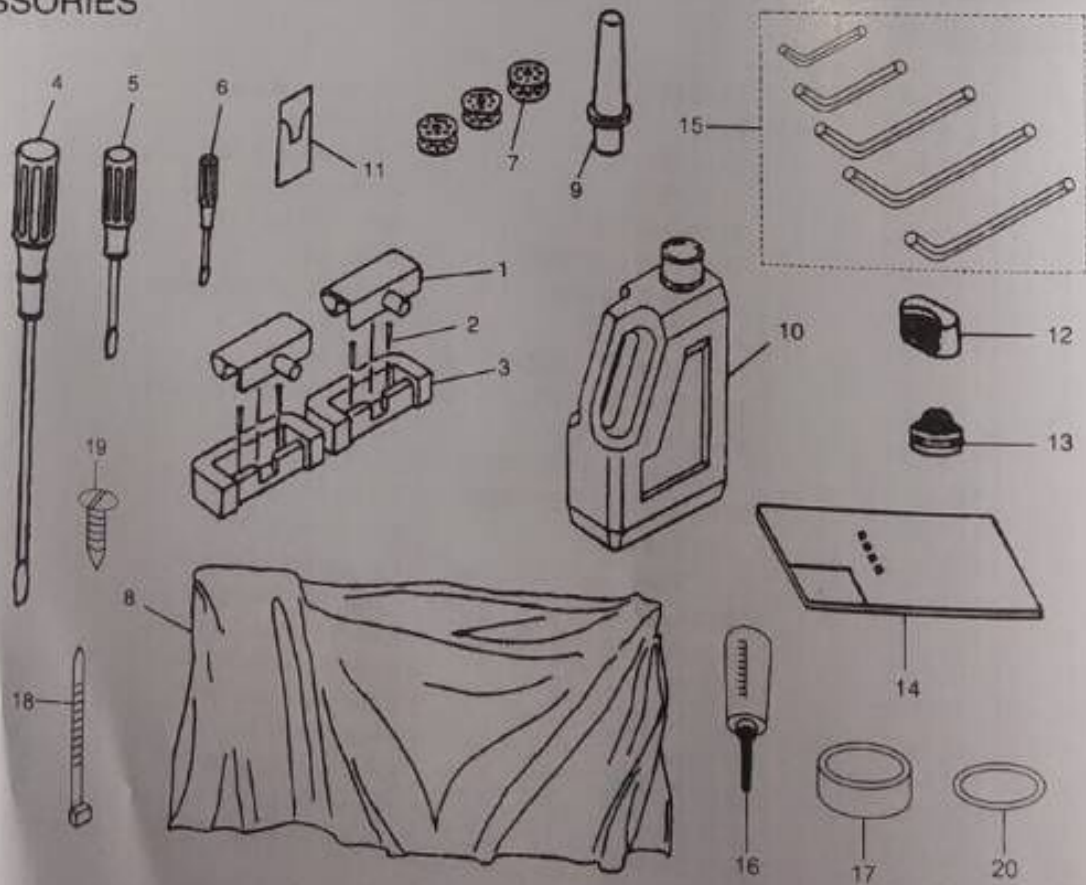
12. 过线架部件

THREAD STAND COMPONENTS



13. 附件

ACCESSORIES



12. 过线架部件

序号 Ref. NO.	件号 Part NO.	名称	Description	数量 Qty	备注 Note
1		过线架部件	Thread stand asm.	1	
2	GR1215	线团防送垫	Spool retainer	2	
3	GS067	线盘钉	Spool pin	2	
4	GR750	线盘轮垫	Spool rest cushion	2	
5	GR1811	线盘	Spool rest	2	
6	GS558	线架过线夹螺钉	Screw M6 L=16	2	
7	GR1745	线架过线夹	Thread guide arm joint	2	
8	GR1744	线架杆顶防护橡皮	Spool rest rod rubber cap	1	
9	GR1825	线架过线杆	Spool rest arm	2	
10	GZ316-8	线架杆上节	Spool rest rod, upper	1	
11	GR1932	线架杆接头	Spool rest rod joint	1	
12	GS401	线架杆接头螺钉	Screw M5 L=14	2	
13	GL158	线架杆接头螺母	Nut M5	2	
14	GZ315-8	线架杆下节	Spool rest rod, lower	1	
15	GR1748	过线圈	Thread guide	2	
16	GR1625	线盘钉弹簧垫	Spring washer	2	
17	GL23	线盘钉螺母	Nut M5	2	
18	GL158	线架杆紧固螺母	Nut M16 x 1.5	1	
19	GR1696	线架杆紧固螺母垫圈	Washer-16 x 30 x 2.6	2	
20	GR1751	紧固螺母弹簧的垫圈	Spring washer	1	

13. 附件

序号 Ref. NO.	件号 Part NO.	名称	Description	数量 Qty	备注 Note
1	GR1590/2	机头连接钩组件	Machine hinge plate asm.	2	
2	GK241	机头连接钩座钉	Nail	4	
3	GBX105	机头连接钩座	Machine hinge plate	2	
4	GR1610	螺丝刀(大)	Screw driver, large	1	
5	GR1602	螺丝刀(中)	Screw driver, medium	1	
6	GR1603	螺丝刀(小)	Screw driver, small	1	
7	GN163-8	梭心	Bobbin	3	
8	GF424	机头罩	Macgube head cover	1	
9	GBR148	机头支柱	Macgube rest cover	1	
10	GR1604/3	油箱部件	Oil reservoir asm.	1	
11	GV15	机针	Needle DB x 1 #14-#16	1包	
12	GR1578-8	防震垫(A)	Quakeproof washer A	1	
13	GR1579-8	防震垫(B)	Quakeproof washer B	1	
14		说明书	Instruction book	1	
15		内六角扳手(1.5, 2, 2.5, 3, 4)	Cross screw driver (1.5, 2, 2.5, 3, 4)	各1	
16		小油壶	Oiler asm	1	
17	GR1576	油盘磁铁	Oil reservoir magnet	1	
18		尼龙扎带	Cable band	5	
19	GBR147	木螺钉	Wood screw	4	
20	GS0574	垫圈	Washer	4	