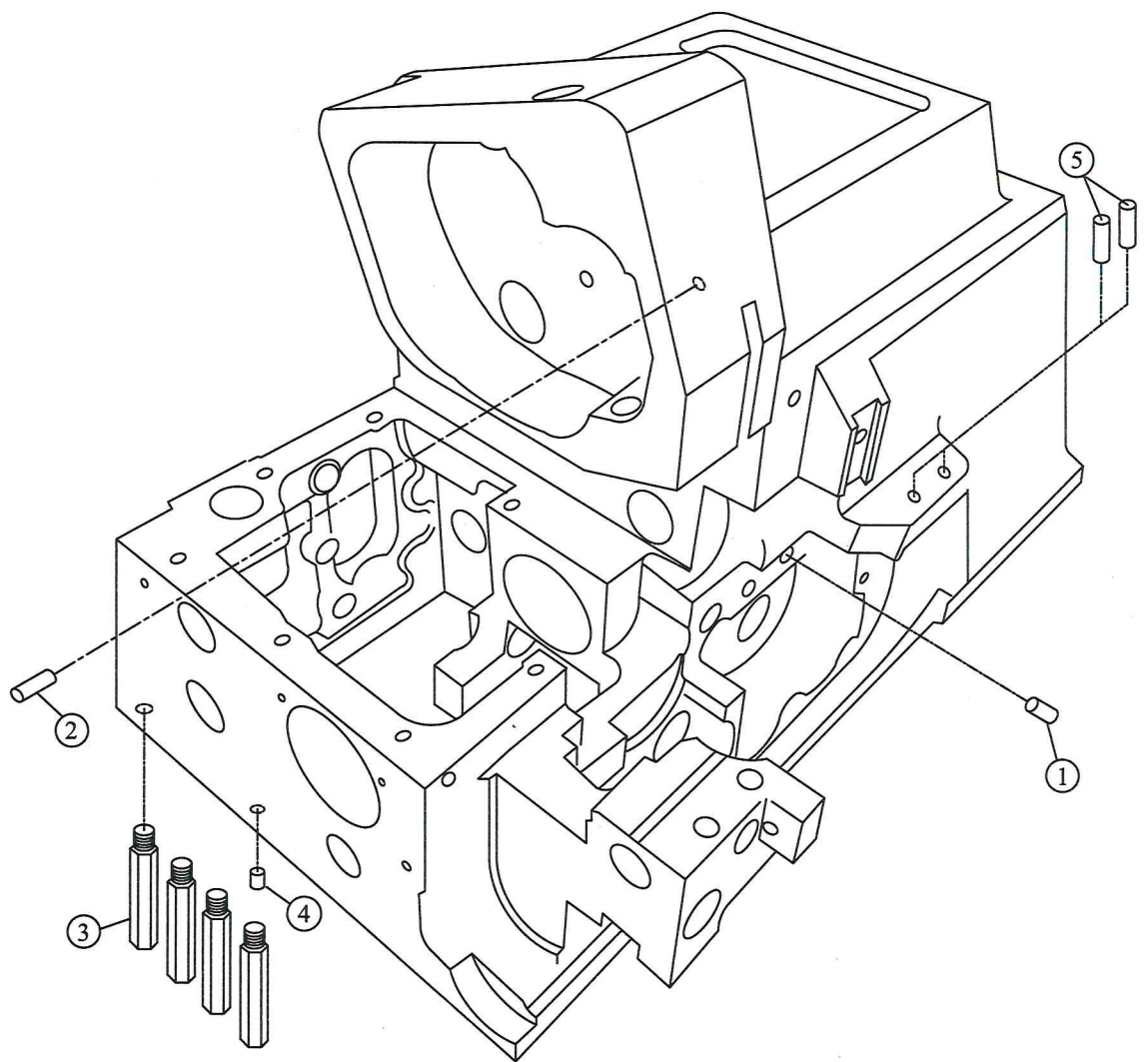


# 零件图册

## Parts Book

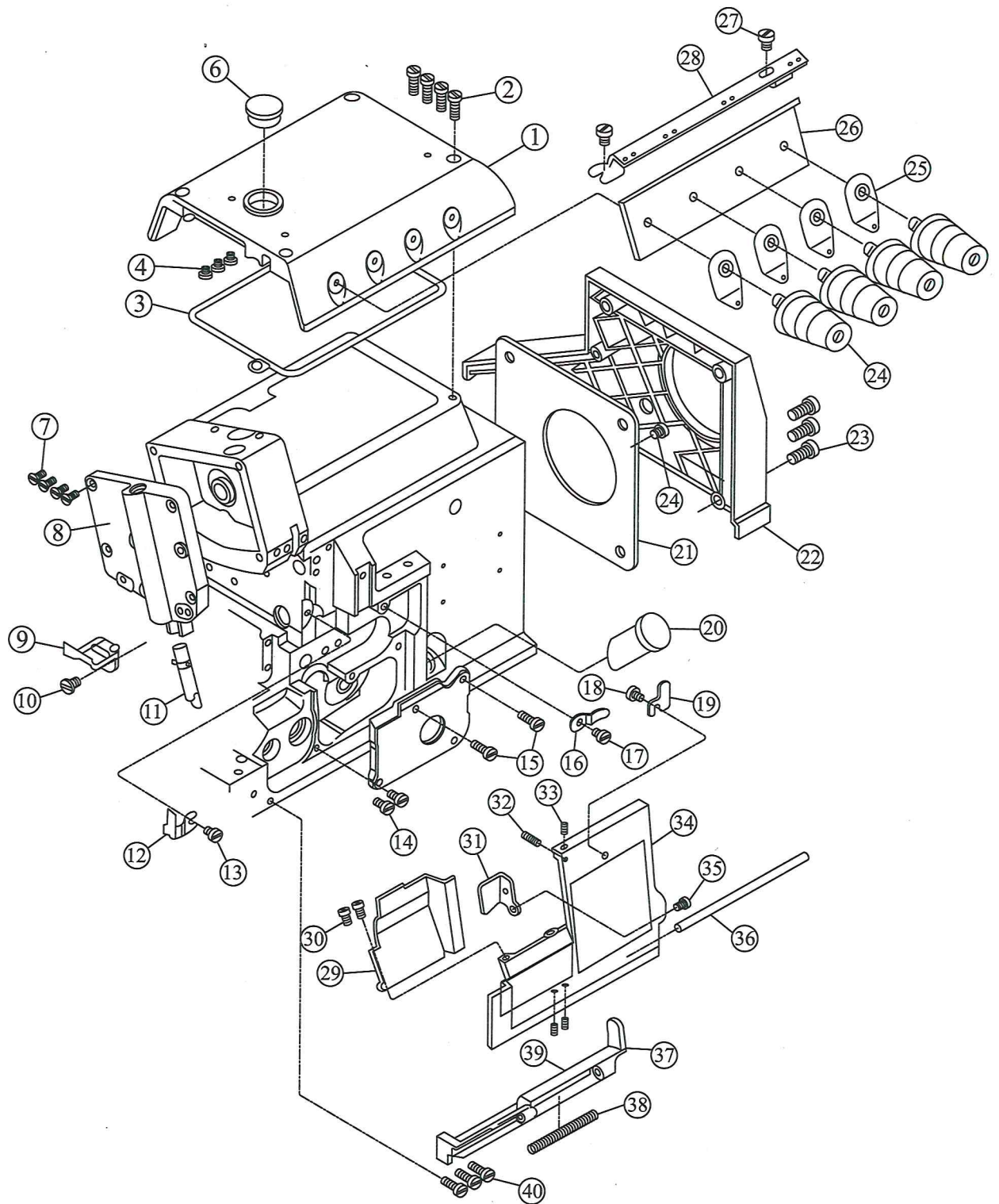
## 一、机壳部件 / Frame assemblies

序号 Ref.No	零件编号 Part No.	名 称 Name	数 量 Amt. Req.		
			3	4	5
1	M1-1	肖子 pin	1	1	1
2	M1-2	支柱 cloth plate	4	4	4
3	M1-3	孔肖 colloid cose	1	1	1
4	M1-4	孔肖 colloid cose	1	1	1
5	M1-5	过线管 thread guide tube	2	2	2



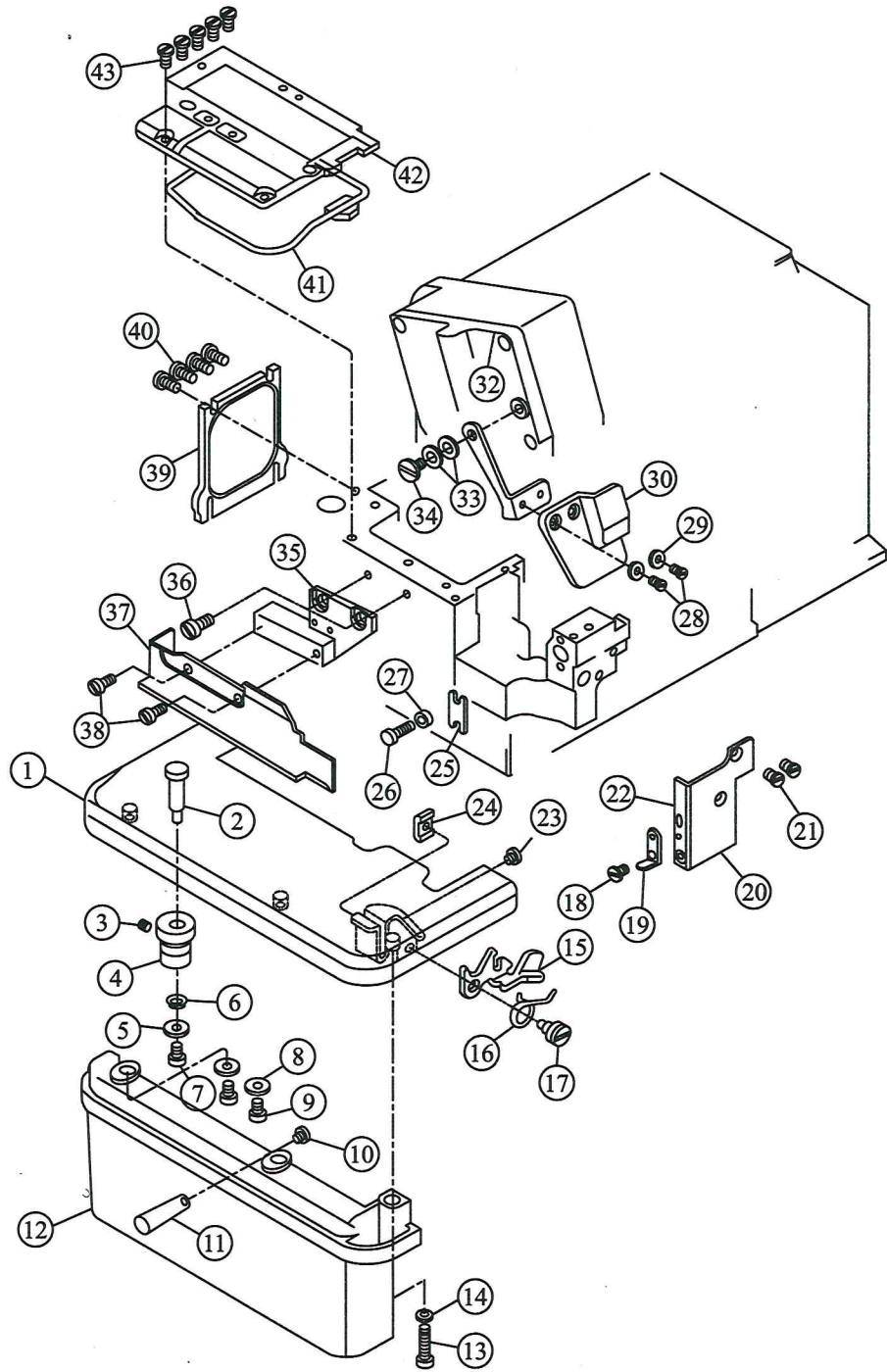
## 二、机罩部件1 / Frame assemblies 1

序号 Ref.No	零件编号 Part No.	名称 Name	数量 Amt. Req.		
			3	4	5
1	M2-1	盖 cover	1	1	1
2	M2-2	螺钉 screw	4	4	4
3	M2-3	橡胶垫 washer	1	1	1
4	M2-4	螺钉 screw	3	3	3
6	M2-6	油标 oil gauge	1	1	1
7	M2-7	螺钉 screw	4	4	4
8	M2-8	左盖 left cover	1	1	1
9	M2-9	油封 oil seal	1	1	1
10	M2-10	螺钉 screw	1	1	1
11	M2-11	压杆头 presser barhead	1	1	1
12	M2-12	送料夹压板	1	1	1
13	M2-13	螺钉 screw	1	1	1
14	M2-14	螺钉 screw	2	2	2
15	M2-15	螺钉 screw	1	1	1
16	M2-16	前罩板卡簧 front cover snapping	1	1	1
17	M2-17	螺钉 screw	1	1	1
18	M2-18	螺钉 screw	1	1	1
19	M2-19	锁紧板 locking plate	1	1	1
20	M2-20	油标 oil gauge	1	1	1
21	M2-21	风扇罩 fan cover	1	1	1
22	M2-22	皮带罩 belt cover	1	1	1
23	M2-23	螺钉 screw	3	3	3
24	M2-24	夹线器 thread tensor	3	4	4
25	M2-25	前过线板 fant thead guide plate	3	4	4
26	M2-26	过线板 thread guide plate	1	1	1
27	M2-27	螺钉 screw	2	2	2
28	M2-28	过线板 thread guide plate	1	1	1
29	M2-29	左前盖 left anterior cover	1	1	1
30	M2-30	螺钉 screw	3	3	3
31	M2-31	锁紧板 looking plate	1	1	1
32	M2-32	螺钉 screw	1	1	1
33	M2-33	螺钉 screw	1	1	1
34	M2-34	前门板 front plate	1	1	1
35	M2-35	螺钉 screw	1	1	1
36	M2-36	铰链销 hinge pin	1	1	1
37	M2-37	铰链 hinge	1	1	1
38	M2-38	铰链销弹簧 hinge pin spring	1	1	1
39	M2-39	螺钉 screw	1	1	1
40	M2-40	螺钉 screw	1	1	1



### 三、机罩部件2 / Frame assemblies 2

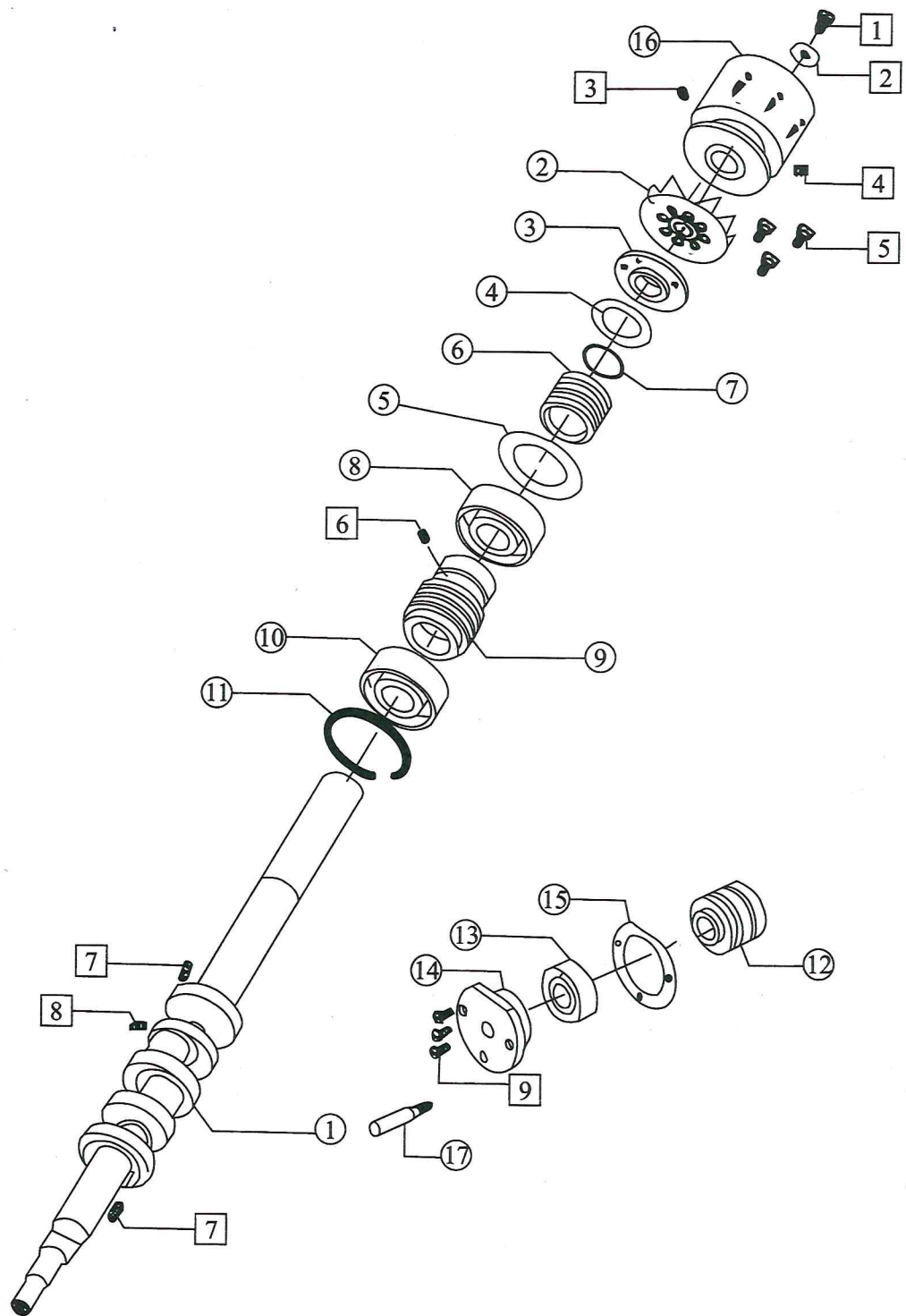
序号 Ref.No	零件编号 Part No.	名称 Name	数量 Amt. Req.		
			3	4	5
1	M3-1	缝台 to cloth plate	1	1	1
2	M3-2	轴销 shaft pin	1	1	1
3	M3-3	螺钉 screw	1	1	1
4	M3-4	铜套 copper sheathing	1	1	1
5	M3-5	垫片 washer	2	2	2
6	M3-6	波形垫片 washer	1	1	1
7	M3-7	螺钉 screw	3	3	3
8	M3-8	垫片 washer	3	3	3
9	M3-9	螺钉 screw	3	3	3
10	M3-10	防震垫 cras pad	1	1	1
11	M3-11	侧盖 slide cover	1	1	1
12	M3-12	螺钉 screw	1	1	1
13	M3-14	垫片 washer	1	1	1
14	M3-16	弹簧 sping	1	1	1
15	M3-17	轴位螺钉 shaft screw	1	1	1
16	M3-13	螺钉 screw	1	1	1
17	M3-15	护板 bach plate	1	1	1
18	M3-22	下刀架挡板 lower knife holser bnck plate	1	1	1
19	M3-18	螺钉 screw	1	1	1
20	M3-20	防震垫 crash pad	1	1	1
21	M3-21	螺钉 screw	2	2	2
22	M3-19	卡簧 snapping	1	1	1
23	M3-23	螺钉 screw	1	1	1
24	M3-24	垫片 washer	1	1	1
25	M3-26	螺钉 screw	1	1	1
26	M3-25	垫片 washer	1	1	1
27	M3-30	防护罩 shield	1	1	1
28	M3-31	支架 holder	1	1	1
29	M3-29	垫片 washer	2	2	2
30	M3-28	螺钉 screw	2	2	2
31	M3-32	面板 head cover	1	1	1
32	M3-27	螺钉 screw	1	1	1
33	M3-37	布料挡板 cloth back plate	1	1	1
34	M3-36	螺钉 screw	2	2	2
35	M3-39	后窗板 rear window plate	1	1	1
36	M3-38	螺钉 screw	2	2	2
37	M3-41	纸垫 poper washer	1	1	1
38	M3-42	左上盖 upper left cover	1	1	1
39	M3-43	螺钉 screw	5	5	5
40	M3-33	垫片 washer	2	2	2
41	M3-34	螺钉 screw	2	2	2
42	M3-35	挡板座	1	1	1



#### 四、主轴部分 / Main shaft assemblies

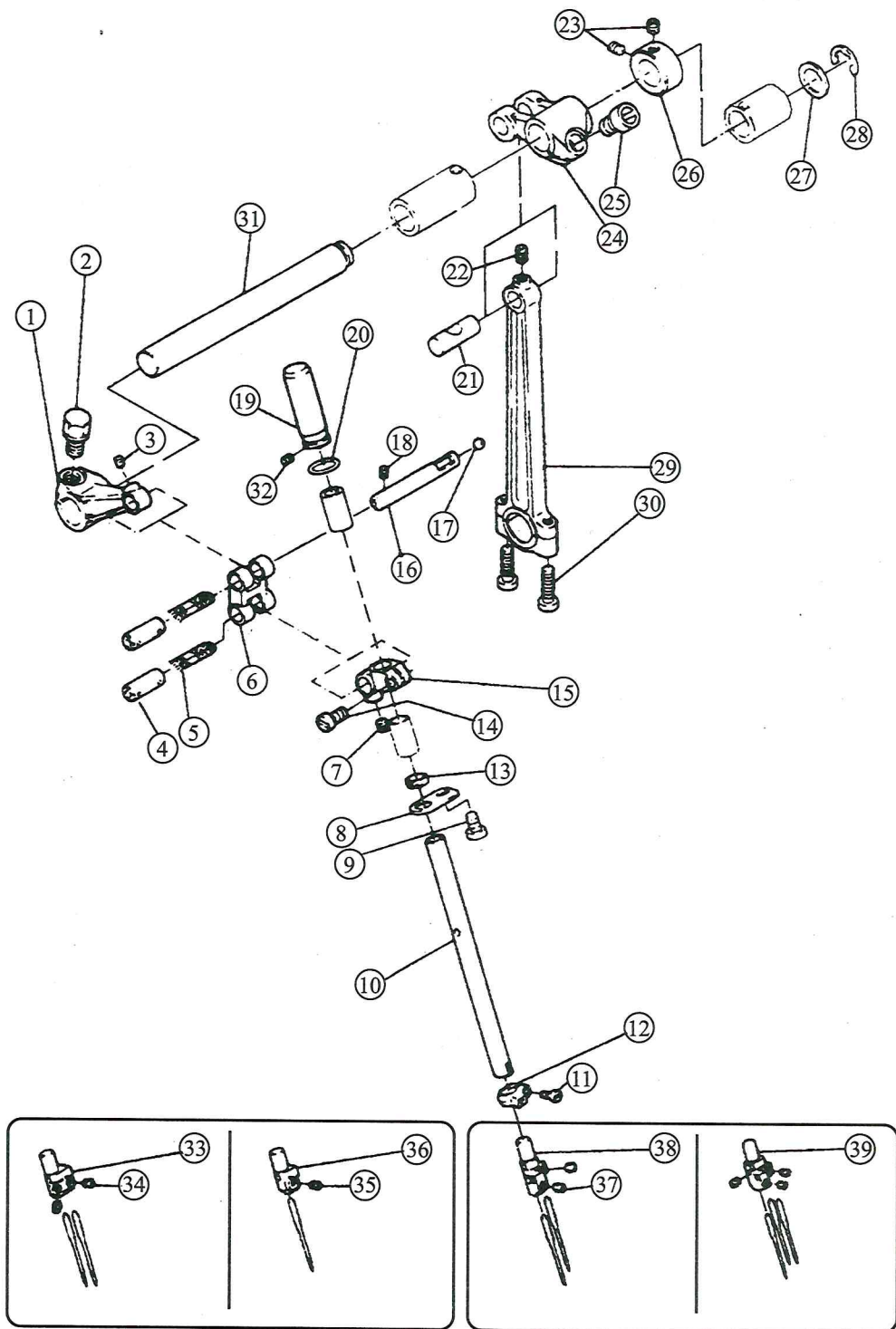
序号 Ref.No	零件编号 Part No.	名称 Name	数量 Amt. Req.		
			3	4	5
1	M4-1	主轴 main shaft	1	1	1
2	M4-2	冷却风扇 wheel	1	1	1
3	M4-3	滚针轴承制动盖 rear shaft bearing cover	1	1	1
4	M4-4	滚针轴承制动垫 rear shaft bearing cover washer	1	1	1
5	M4-5	主轴弹簧垫圈 main shaft spring washer	1	1	1
6	M4-6	主轴中轴套 main shaft bysgubg asm	1	1	1
7	M4-7	主轴[密封圈 Seal ring	1	1	1
8	M4-8	主轴后轴承 main shaft queen shaft bearing	1	1	1
9	M4-9	油泵螺杆 oil pump worm	1	1	1
10	M4-10	主轴轴承 main shaft bearing	1	1	1
11	M4-11	卡簧 shaft end bushing washer	1	1	1
12	M4-12	主轴左套筒 main shaft light bushing	1	1	1
13	M4-13	轴承80200 bearing 80200	1	1	1
14	M4-14	轴承盖 bearing cover	1	1	0
	5M4-14	轴承盖 bearing cover	0	0	1
15	M4-15	轴承盖垫圈 bearing cover washer	1	1	1
16	M4-16	上轮 pulley	1	1	1
17	5M4-17	凸轮轴 bulgy pulley bearing	0	0	1
1	S073	皮带轮螺钉 pulley screw	1	1	1
2	W03	皮带轮螺钉垫圈 pulley screw washer	1	1	1
3	S070	皮带轮顶丝 pulley set screw	1	1	1
4	S085	皮带轮定位螺钉 pulley set screw	1	1	1
5	S032	滚针轴承止动盖螺钉 rear shafting bearint cover srew	3	3	3
6	S043	油泵蜗杆螺钉 oil pump worm screw	1	1	1
7	S078	油瓦螺钉 screw	2	2	2
8	S019	油孔螺钉 screw	1	1	1
9	S022	轴承盖螺钉 bearing cover screw	3	3	3





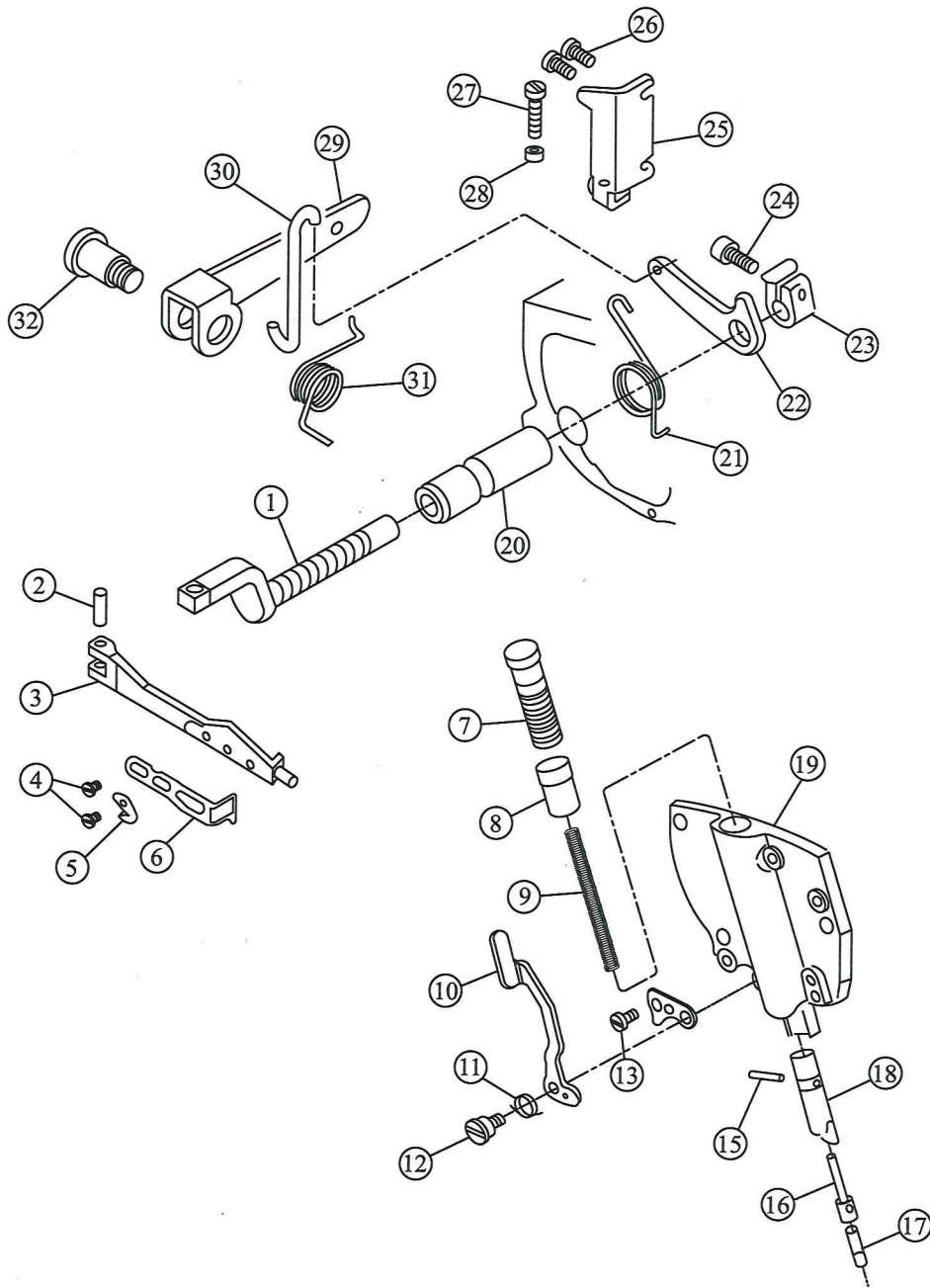
## 五、针杆部件 / Needle bar assemblies

序号 Ref.No	零件编号 Part No.	名称 Name	数量 Amt. Req.		
			3	4	5
1	M5-1	曲柄 crank	1	1	1
2	M5-2	螺钉 screw	1	1	1
3	M5-3	螺钉 screw	1	1	1
4	M5-4	肖子 pin	2	2	2
5	M5-5	油线 oil wick	2	2	2
6	M5-6	连杆 connecting rod	1	1	1
7	M5-7	螺钉 screw	2	2	2
8	M5-8	挡板 back plate	1	1	1
9	M5-9	螺钉 screw	1	1	1
10	M5-10	针杆 needle bar	1	1	1
11	M5-11	螺杆 screw	1	1	1
12	M5-12	针杆圈 needle bar ring	1	1	1
13	M5-13	油封 oil seal	1	1	1
14	M5-14	螺钉 screw	1	1	1
15	M5-15	连接头 connector	1	1	1
16	M5-16	油管 oil pipe	1	1	1
17	M5-17	孔塞 spout plug	2	2	2
18	M5-18	螺钉 screw	1	1	1
19	M5-19	针杆帽 needle bar	1	1	1
20	M5-20	O型圈 type“O”washer	1	1	1
21	M5-21	肖子 pin	1	1	1
22	M5-22	螺钉 screw	1	1	1
23	M5-23	螺钉 screw	1	1	1
24	M5-24	曲柄 crank	1	1	1
25	M5-25	螺钉 screw	1	1	1
26	M5-26	挡圈 snap ring	1	1	1
27	M5-27	垫片 washer	1	1	1
28	M5-28	卡簧 snap ring	1	1	1
29	M5-29	长连杆 long connecting rod	1	1	1
30	M5-30	螺钉 screw	2	2	2
31	M6-31	上轴 upper shaft	1	1	1
32	M5-32	螺钉 screw	1	1	1
33	M5-33	针古 need clamp	1	1	1
34	M5-34	螺钉 screw	1	2	2
35	M5-35	螺钉 screw	1	2	2
36	M5-36	针古 needle clamp	1	1	1
37	M5-37	螺钉 screw	1	2	2
38	M5-38	针古 needle clamp	1	1	1
39	M5-39	针古 needle clamp	1	1	1



## 六、抬压脚部件

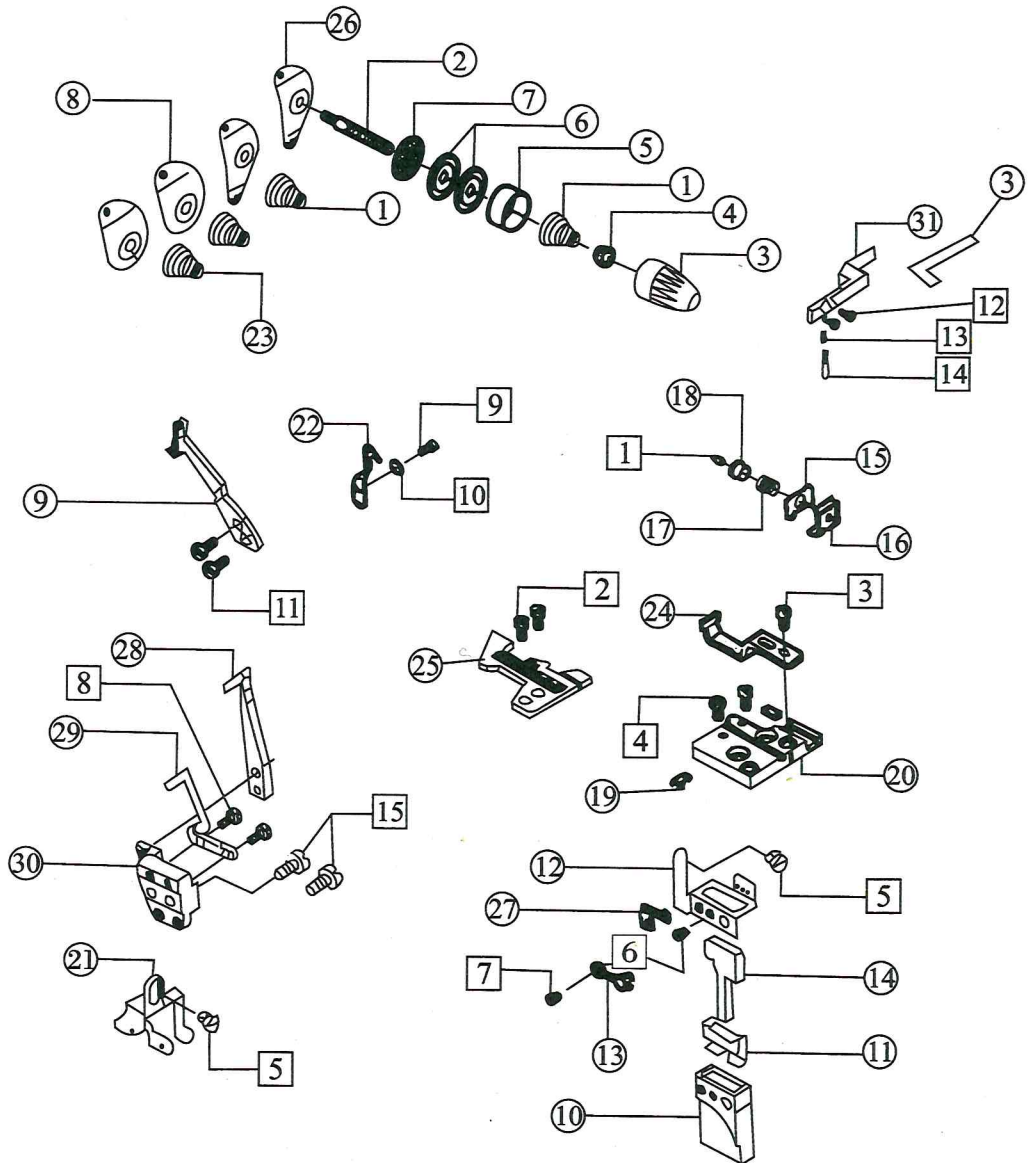
序号 Ref.No	零件编号 Part No.	名称 Name	数量 Amt. Req.		
			3	4	5
1	M6-1	压脚轴 pressor foot shaft	1	1	1
2	M6-2	肖子 pin	1	1	1
3	M6-3	压脚臂 pressor foot	1	1	1
4	M6-4	螺钉 screw	3	3	3
5	M6-5	割线刀 thread cutting knife	1	1	1
6	M6-6	护指器 finger protector	1	1	1
7	M6-7	调节螺丝 screw	1	1	1
8	M6-8	调节螺母 nut	1	1	1
9	M6-9	弹簧 spring	1	1	1
10	M6-10	扳手 lifting handle	1	1	1
11	M6-11	弹簧 spring	1	1	1
12	M6-12	螺钉 screw	1	1	1
13	M6-13	螺钉 screw	1	1	1
14	M6-14	限位肖	1	1	1
15	M6-15	橡胶垫 washer	1	1	1
16	M6-16	肖 pin	1	1	1
17	M6-17	压杆组件 presser bar form	1	1	1
18	M6-18	侧盖 slide lover	1	1	1
19	M6-19	压脚轴套 presser foot shaft bushing	1	1	1
20	M6-20	弹簧 spring	1	1	1
21	M6-21	抬压脚曲柄 presser foot cranh	1	1	1
22	M6-22	抬压脚曲柄 presser foot cranh	1	1	1
23	M6-23	螺钉 screw	2	2	2
24	M6-24	角板	1	1	1
25	M6-25	螺钉 screw	2	2	2
26	M6-26	螺钉 screw	3	3	3
27	M6-27	螺母 nut	1	1	1
28	M6-28	抬压脚杠杆 presser foot lever	1	1	1
29	M6-29	弯钩 hgk	1	1	1
30	M6-30	抬压脚螺钉 presser foot screw	1	1	1



## 七、过线部分 / Thread guide assemblies

序号 Ref.No	零件编号 Part No.	名 称 Name	数 量 Amt. Req.			
			3	4	5	
1	M7-1	弯针调压簧	thread tension spring	1	2	2
2	M7-2	夹线螺钉	thread tension screw	3	4	4
3	M7-3A	调压螺母	thread tension nut	3	4	4
4	M7-4	调压止动套	thread tension spring	3	4	4
5	M7-5A	调压止动盖	thread tension spring retainer house	3	4	4
6	M7-6	线片	thread tension disc	6	8	8
7	M7-7	夹线片垫	thread tension disc washer	3	4	4
8	M7-8A	过线板	thread guide	2	2	2
9	M7-9	挑线板	upper thread take-up	1	1	0
	5M7-9	挑线板	upper thread take-up	0	0	1
10	M7-10	硅油盒	oil box	1	1	1
11	M7-11	油毡垫架	oil felt	1	1	1
12	M7-12	过线架	thread guide	1	1	1
13	M7-13	硅油盒胶垫	oil box washer	1	1	1
14	M7-14	油毡垫	oil felt	1	1	1
15	M7-15	拦线板	tension spring	1	1	1
16	M7-16	拦线板去架	thread controler disc holder	1	1	1
17	M7-17	弹簧	spring	1	1	1
18	M7-18	拦线板导向套	thread controller disc guide bushing	1	1	1
19	M7-19	针板座键	throat plate positionign rod	2	2	2
20	M7-20	针板座	throat plate barcket	1	1	1
21	M7-21	过线架	thread mark guide	1	1	0
	5M7-21	过线架	thread mark guide	0	0	1
22	M7-22	护针挡	teat needle guard	1	1	1
23	M7-23	调压簧	thread tension spring	2	2	2
24	4M7-24	前护针挡	front needle guard	0	1	0
	3M7-24	前护针挡	front needle guard	1	0	0
	5M7-24	前护针挡	front needle guard	0	0	1
25	4M7-25	针板	throat plate	0	1	0
	3M7-25	针板	throat plate	1	0	0
	5M7-25	针板	throat plate	0	0	1
26	M7-26A	过线板	thread guide	1	2	1
27	5M7-27	过线	thread guide	0	0	1
28	5M7-28	护针I	needle guard I	0	0	1
29	5M7-29	护针挡II	needle guide II	0	0	1
30	M7-30	护针挡座	needle guard barcket	1	1	0
	5M7-30	护针挡座	needle guard barcket	0	0	1
31	M7-31	挡板	snap plate	1	1	1
32	M7-32	挡板垫	snap plate washer	1	1	1
1	S099	螺钉	screw	1	1	1
2	S035	针板螺钉	throat plate screw	2	2	2
3	S016	前护针板螺钉	fornt needle snap screw	1	1	1
4	S061	针板座螺	throat plat barcket screw	2	2	2
5	S015	过线架螺钉	thread guide holder screw	2	2	2

序号 Ref.No	零件编号 Part No.	名称 Name	数量 Amt. Req.		
			3	4	5
6	S033	硅油盒固定螺钉 oil box set screw	1	1	1
7	S072	硅油盒胶垫固定螺钉 oil box washer set screw	1	1	1
8	S005	后护针挡螺钉 rear needle guard screw	2	2	2
9	S023	护针挡螺钉 needle guard screw	1	1	1
10	W07	护针挡垫圈 needle tuard washer	1	1	1
11	S017	挑线螺钉 thread take up screw	2	2	2
12	S103	挡板螺钉1 snap plate screw I	2	2	2
13	S019	挡板螺钉11 snap plate screw II	1	1	1
14	S104	挡板定位螺钉 snap plate set screw	1	1	1
15	S045	护针挡座螺钉 screw	2	2	2

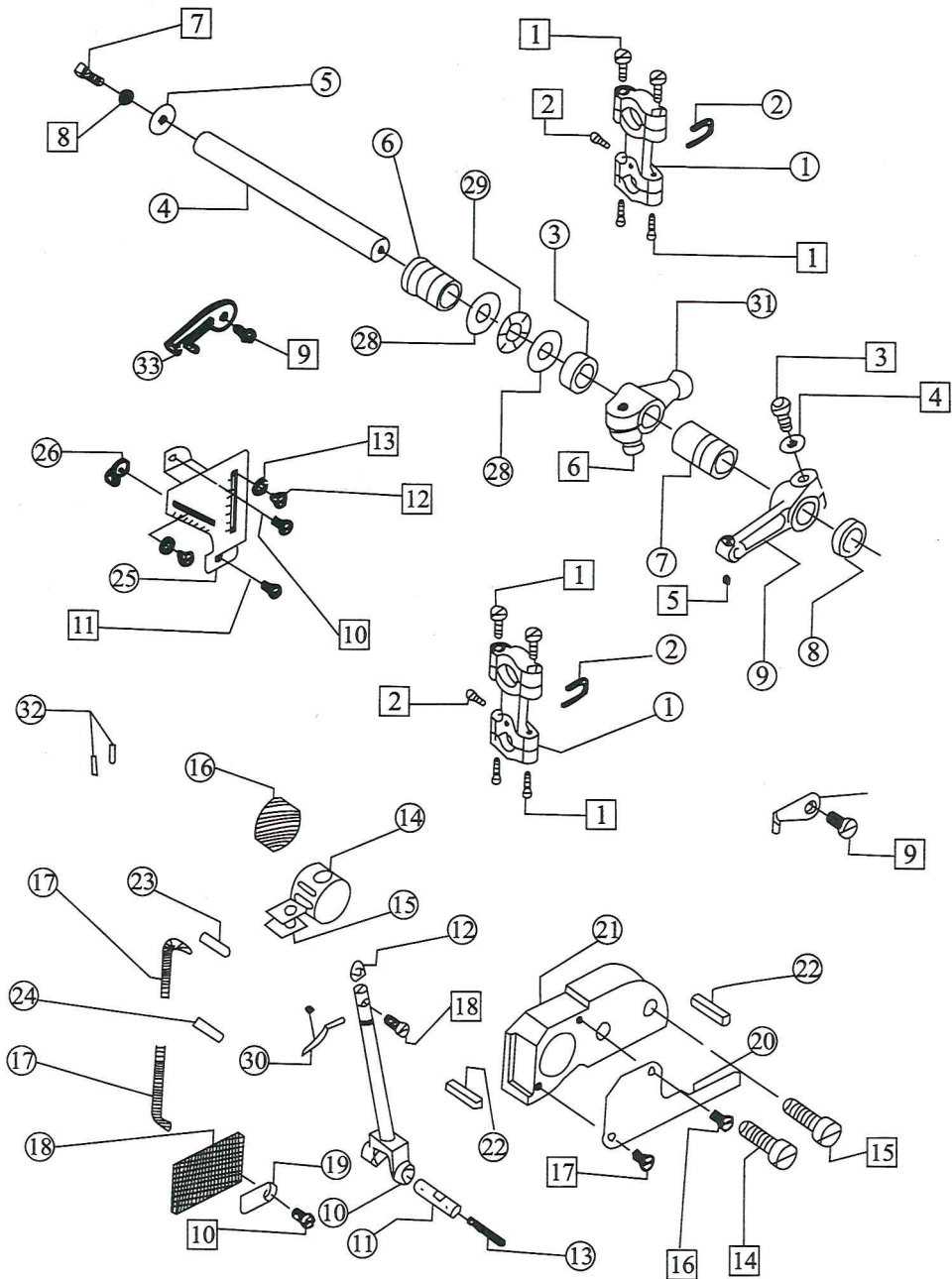


## 八、上弯针部分 / Upper looper assemblies

序号 Ref.No	零件编号 Part No.	名称 Name	数量 Amt. Req.		
			3	4	5
1	M8-1	弯针连杆 looper link	2	2	2
2	M8-2	弯针连杆摆架 looper link holder	2	2	2
3	M8-3	厚垫圈 thickness washer	0	1	0
	5M8-3	厚垫圈 thickness washer	1	0	1
4	M8-4	上弯针轴 upper looper shaft	1	1	1
5	M8-5	大垫圈 big washer	1	1	1
6	M8-6	上弯针轴后套筒 upper looper shaft rear bashing	1	1	1
7	M8-7	上弯针轴前套筒 upper looper shaft foot bushing	1	1	1
8	M8-8	上弯针轴油封 upper looper shaft oil seal	1	1	1
9	M8-9	上弯针轴曲柄 upper looper shaft crant	1	1	1
10	M8-10	上弯针摇杆 upper looper shaft bar	1	1	1
11	M8-11	摇杆销 connecting rod shaft pin	1	1	1
12	M8-12	摇杆卡片 washer	1	1	1
13	M8-13	油线 oil wick	1	1	1
14	M8-14	上弯针轴导块 upper looper slide bar slidel block	1	1	1
15	M8-15	油毡 oil felt	2	2	2
16	M8-16	油毡 oil felt	1	1	1
17	M8-17	油线 oil wick	2	2	2
18	M8-18	滤油板 acreen oil plate	1	1	1
19	M8-19	压板 felt plate	1	1	1
20	M8-20	导架座挡板 thread hlder snap plate	1	1	1
21	M8-21	上弯针轴导架座 upper looper shaft slide bar bracket	1	1	1
22	M8-22	油封 oil seal	2	2	2
23	M8-23	油管 oil tube	1	1	1
24	M8-24	油管 oil tube	1	1	1
25	M8-25	调线刻度板 thread amount regulating plate	1	1	1
26	M8-26	上弯针过线 upper looper thread guide	1	1	1
27	M8-27	上弯针轴过线板 upper looper shaft thread plate	1	1	1
28	M8-28	轴承挡板 shaft bearing guaid	2	2	2
29	M8-29	滚针端面轴承 lower looper holder copper	1	1	1
30	M8-30	弯针 looper	1	1	1
31	M8-31	上弯针摆动曲柄 upper looper crank bearing	0	1	0
	5M8-31	上弯针摆动曲柄 upper looper crank bearing	1	0	1
32	M8-32	穿线管 threading rube	2	2	2
33	M8-33	两孔过线板 two for thread guide	1	1	1
1	S074	连杆螺钉 shaft screw	8	8	8
2	S0384	弯针连杆止动螺钉 scre	2	2	2
3	S058	上弯针轴曲柄螺钉 upper looper shaft crank screw	1	1	1
4	W12	上弯针轴曲柄垫圈 upper looper shaft washer	1	1	1
5	S009	上弯针轴曲柄丝 link pin set screw	1	1	1
6	S101	摆动曲柄螺钉 nexagon socket screw	1	1	1
7	S036	上弯针轴螺钉 upper looper shaft screw	1	1	1
8	W04	弹簧垫圈 wather	1	1	1
9	S032	上弯针轴过线架螺钉 upper looper shaft thread guide screw	2	2	2

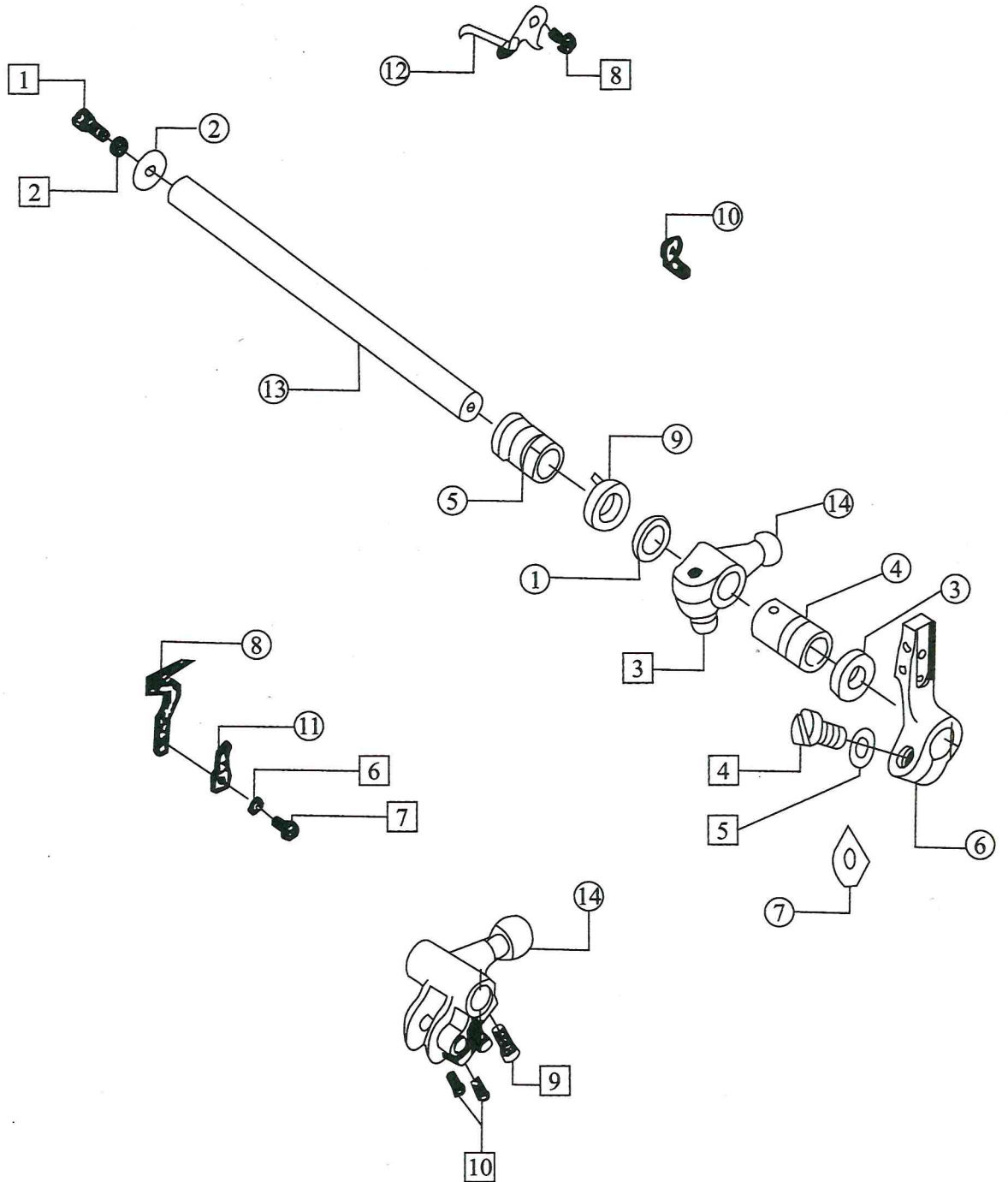


序号 Ref.No	零件编号 Part No.	名称 Name	数量 Amt. Req.			
			3	4	5	
10	S027	调线刻度板螺钉	thread amount regulating plate	2	2	2
11	S037	调线刻度板螺钉	screw	1	1	1
12	S014	弯钉过线螺钉	looper shaft thread guide screw	2	2	2
13	W08	弯针过线垫圈	looper shaft thread guide washer	2	2	2
14	S097	上弯针轴导板螺钉	upper looper shaft thread plate screw	1	1	1
15	S062	上弯针轴导板螺钉	upper looper shaft thread plate screw	1	1	1
16	S012	导架座挡板螺钉	thread holder snap plate screw	1	1	1
17	S095	导线座挡板螺钉	thread holder snap plate screw	1	1	1
18	S015	上弯针紧固螺钉	upper looper set screw	1	1	1



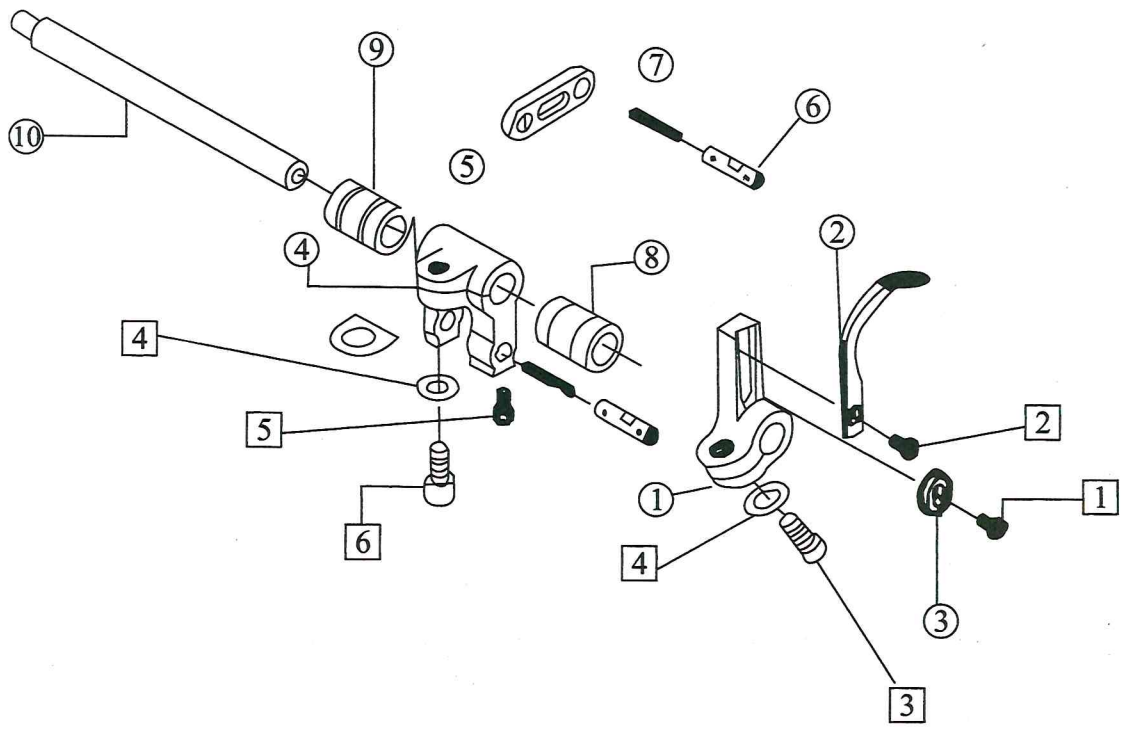
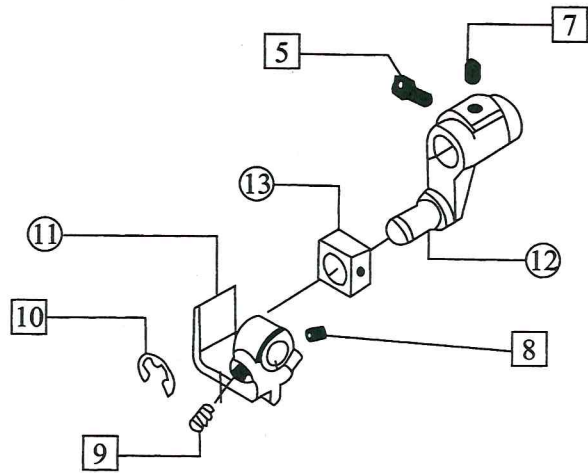
## 九、下弯针部分 / Lower looper assemblies

序号 Ref.No	零件编号 Part No.	名称 Name	数量 Amt. Req.		
			3	4	5
1	M9-1	厚垫圈 lower looper shaft copper bushing	1	1	0
	5M9-1	厚垫圈 washer	0	0	1
2	M9-2	下弯针轴垫圈 lower looper shaft washer	1	1	1
3	M9-3	油封 oil seal	1	1	2
4	M9-4	下弯针前套筒 lower looper front bushing	1	1	1
5	M9-5	下弯针后套筒 lower looper rear bushing	1	1	1
6	M9-6	下弯针架 lower looper holder	1	1	1
7	M9-7	下弯针曲柄垫片 lower looper crank washer	2	2	5
8	M9-8	下弯针 lower looper	1	1	0
9	M9-9	铜垫圈 copper washer	1	1	1
10	M9-10	过线 thread guide	1	1	1
11	M9-11	下弯针过线 lower looper thread guide	1	1	1
12	M9-12	下弯针三孔过先线 lower looper 3-thread guide	1	1	1
13	M9-13	下弯针轴 lower looper shaft	1	1	0
	5M9-13	下弯针轴 lower looper shaft	0	0	1
14	M9-14	下弯针摆动曲柄 lower looper crank	1	1	0
	5M9-14	下弯针摆动曲柄 lower looper crank	0	0	1
1	S036	下弯针轴螺钉 lower looper shaft screw	1	1	1
2	W04	弹簧垫圈 elastic washer	1	1	1
3	S101	摆动曲柄螺钉 crank screw	1	1	1
4	S060	下弯针架钉 lower looper holder screw	1	1	1
5	W12	下弯针架垫圈 lower looper holder washer	1	1	1
6	W07	下弯针架垫圈 lower looper holder washer	1	1	1
7	S022	下弯针螺钉 lower looper screw	1	1	1
8	S032	下弯针过先螺钉 lower looper thread guide screw	1	1	1
9	S067	曲柄螺钉 crank screw	0	0	2
10	S015	曲柄螺钉 crank screw	0	0	2



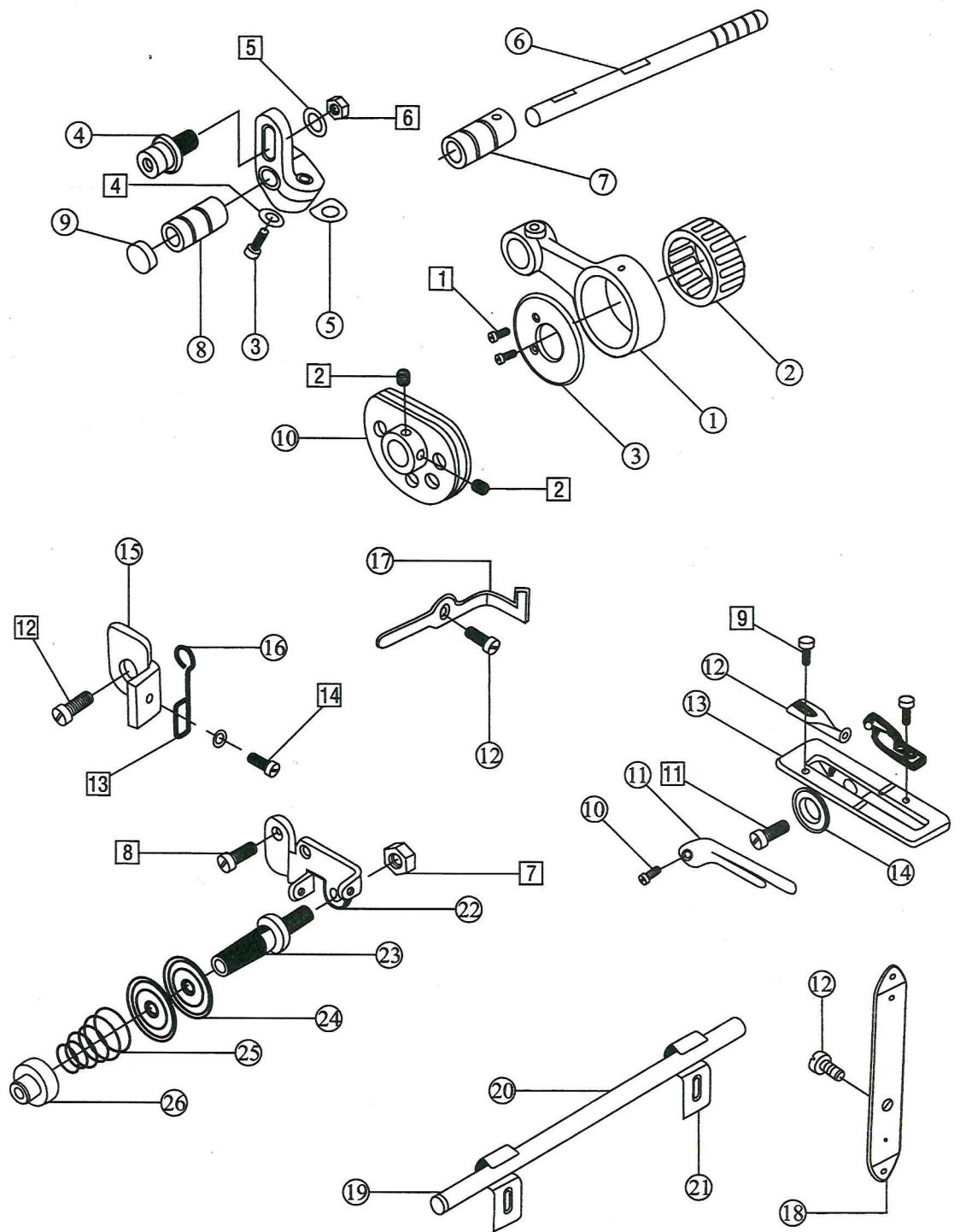
## 十、前弯针部分 / Front lower looper assemblies

序号 Ref.No	零件编号 Part No.	名称 Name	数量 Amt. Req.		
			3	4	5
1	5M10-1	前弯针架 front looper shaft holder	0	0	1
2	5M10-2	前弯针 front looper	0	0	1
3	5M10-3	前弯针调节垫片 front looper shaft regulding washer	0	0	1
4	5M10-4	前弯针曲柄 frong looper crank	0	0	1
5	5M10-5	调节板 regulafting plate	0	0	1
6	5M10-6	调节板销 tegulating palte pin	0	0	2
7	5M10-7	油线 oil thread	0	0	2
8	5M10-8	前弯针轴前套筒 front looper shaft front bushing	0	0	1
9	5M10-9	前弯针轴后套筒 front looper shaft rear bushing	0	0	1
10	5M10-10	前弯针轴 frong looper shaft	0	0	1
11	5M10-11	驱动座 driving lever	0	0	1
12	5M10-12	驱动曲柄 driving crank	0	0	1
13	5M10-13	前弯针滑块 front looper slide block	0	0	1
1	S005	前弯针调节垫螺钉 front looper thread ruide screw	0	0	1
2	S016	前弯针固定螺钉 front looper guide set screw	0	0	1
3	S060	前弯针架螺钉 front looper holder set screw	0	0	1
4	W12	前弯针架螺钉垫 front looper holder screw washer	0	0	2
5	S028	前弯针曲柄螺钉 front looper crank screw	0	0	2
6	S101	前弯针曲柄紧固螺钉 front looper crank holder set screw	0	0	1
7	S043	驱动曲柄顶丝 nexagon socket sefscrew	0	0	1
8	S094	驱动曲柄座顶丝 driving levdr set screw	0	0	1
9	S093	驱动曲柄座螺钉 driving lever set screw	0	0	1
10	E03	卡簧 snapring	0	0	1



## 十一、打线凸轮部分 / Cam assemblies

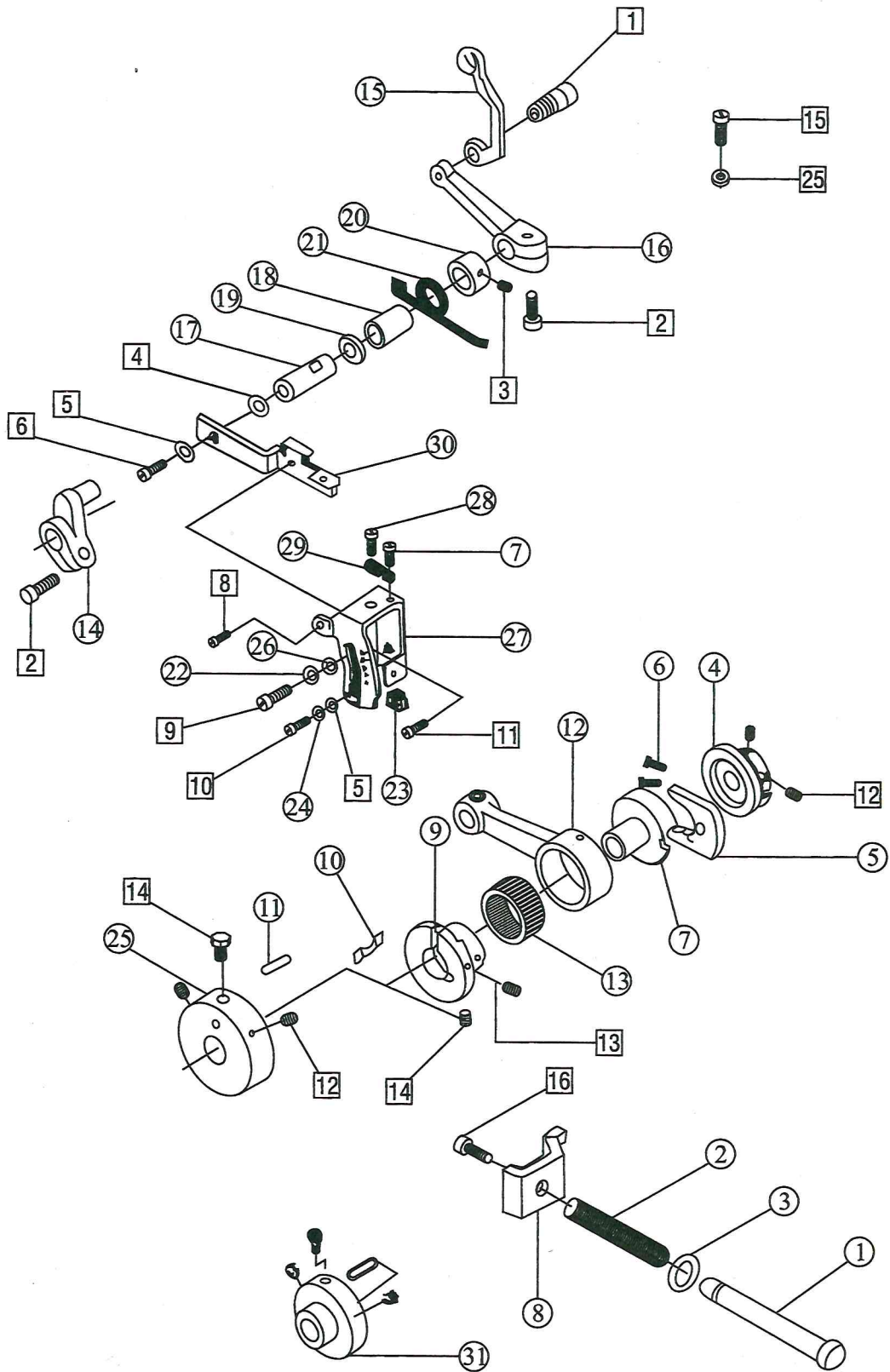
序号 Ref.No	零件编号 Part No.	名称	Name	数量 Amt. Req.		
				3	4	5
1	5M11-1	横轴连杆	bearing snap uing screw	0	0	1
2	5M11-2	连杆滚针轴承	bfeat guide camtop	0	0	1
3	5M11-3	轴承挡圈	shaft snap crank screw	0	0	1
4	5M11-4	曲柄销	shaft snap washer	0	0	1
5	5M11-5	横轴曲柄	crank adjusting pin wather	0	0	1
6	5M11-6	横轴曲柄轴	crank adjusting pin nut	0	0	1
7	5M11-7	横轴右套筒	holder finger nut	0	0	1
8	5M11-8	横轴左套筒	holder finger	0	0	1
9	5M11-9	油封	thread guide plate screw	0	0	1
10	5M11-10	打线凸轮	thread guide plate screw	0	0	1
11	5M11-11	导线板	thread guide finger set screw	0	0	1
12	5M11-12	过线板	thread guide for 2-thread screw	0	0	2
13	5M11-13	导线架	washer	0	0	1
14	5M11-14	波形垫圈	thread guide hook screw	0	0	1
15	5M11-15	限位板		0	0	1
16	5M11-16	过线环	thread guide hook	0	0	1
17	5M11-17	二眼过线板	2-thread thread guide	0	0	1
18	5M11-18	后导线板	rear thread guide finger set screw	0	0	1
19	5M11-19	导线管套	thread guide tube bushing	0	0	2
20	5M11-20	过线管	thread guide tube	0	0	1
21	5M11-21	过线管压板	thread guide tube olamp	0	0	2
22	5M11-22	压线器架	thread tension plate holder	0	0	1
23	5M11-23	夹线挺	holder spool	0	0	1
24	5M11-24	夹线片	holder spool	0	0	2
25	5M11-25	夹线簧	holder spool spring	0	0	1
26	5M11-26	调压螺母轴承挡圈螺钉	presser nut	0	0	1
1	S002	轴承挡圈螺钉	bearing snap ring scrwe	0	0	2
2	S009	打线凸轮顶丝	cam set screw	0	0	2
3	S101	横轴曲柄螺钉	crank set screw	0	0	1
4	W12	横轴曲柄垫圈	crank washer	0	0	1
5	W06	曲柄调整销垫圈	crank adjusting pin wather	0	0	1
6	N02	曲柄调整螺母	crank adjusting pin nut	0	0	1
7	N03	夹线器架螺母	thread tension scrwe nut	0	0	1
8	S032	夹线器架螺钉	thread tension screw	0	0	1
9	S003	过线板螺钉	thread guide plate screw	0	0	2
10	S017	导线板螺钉	thread guide plate screw	0	0	1
11	S038	导线架固定螺钉	thread guide finger seet screw	0	0	1
12	S027	二眼过线板螺钉	thread guide for 2-thread screw	0	0	3
13	W11	垫圈	washer	0	0	1
14	S020	进线环螺钉	thread guide hook screw	0	0	1



## 十二、差动送布部分 / Differential feed assemblies

序号 Ref.No	零件编号 Part No.	名称 Name	数量 Amt. Req.			
			3	4	5	
1	M12-1	送布调节器杆	stich length reglating shaft	1	1	1
2	M12-2	针距调节簧	spring	1	1	1
3	M12-3	送布调节器油封	oil washer	1	1	1
4	M12-4	针距调节凸轮组件	stitch length regulating cam asm	1	1	1
5	M12-5	针距调节滑块	stitch length regulating block	1	1	1
6	M12-6	针距调节滑块压簧	stitch length regulating block spring	2	2	2
7	M12-7	针距凸轮	stitch length cam	1	1	1
8	M12-8	针距调节压板	stitch length regulating plate	1	1	1
9	M12-9	送布凸轮	feed lngth cam	1	1	1
10	M12-10	送布凸轮簧	feed cam spring	1	1	1
11	M12-11	送布凸轮座销	feed cam pin	1	1	1
12	M12-12	送布连杆	feed link	1	1	1
13	M12-13	滚动轴承	feed rod rolling pin bearing	1	1	1
14	M12-14	送布曲柄	feed crank	1	1	1
15	M12-15	差动连杆	differential link	1	1	1
16	M12-16	差动曲柄	dofferential crank	1	1	1
17	M12-17	销子	pin	1	1	1
18	M12-18	差动轴套筒	differential shaft bearing	1	1	1
19	M12-19	油封	oil seal	1	1	1
20	M12-20	挡圈	snap ring	1	1	1
21	M12-21	弹簧	spring	1	1	1
22	M12-22	挡圈	washer	1	1	1
23	M12-23	调节滑块	regalating block	1	1	1
24	M12-24	垫圈	washer	2	2	2
25	M12-25	送布凸轮座	feed cam	1	1	0
26	M12-26	垫圈	washer	1	1	1
27	M12-27	差动调节架	differential regulating holder	1	1	1
28	M12-28	调节螺钉	regulating screw	1	1	1
29	M12-29	卡簧	regulating screw spring	1	1	1
30	M12-30	差动调节杆	differential rigulating link	1	1	1
31	5M12-31	曲柄连杆凸轮	crank link cam	0	0	1
1	S096	差动连杆螺钉	differential link screw	1	1	1
2	S101	差动曲柄螺钉	differential crank screw	2	2	2
3	S028	挡圈螺钉	snap ring screw	1	1	1
4	W15	垫圈	washer	1	1	1
5	S01	垫圈	washer	2	2	2
6	S037	差动调节杆螺钉	differential positon screw	1	1	1
7	S012	卡簧螺钉	spring screw	1	1	1
8	S034	差动调节架紧固螺钉	differential set screw	1	1	1
9	S079	螺钉	screw	1	1	1
10	S027	差动调节螺钉	differential positop screw	1	1	1
11	S032	差动调节架螺钉	differential positop screw	1	1	1
12	S043	针距调节齿轮螺钉	stith length	4	4	4
13	S008	送布凸轮调节螺钉	feed cam regulating screw	1	1	1
14	S011	送布凸轮螺钉	feed cam screw	1	1	1
15	S040	螺钉	screw	1	1	1
16	S036	针距调节压板螺钉	stitch length screw	1	1	1

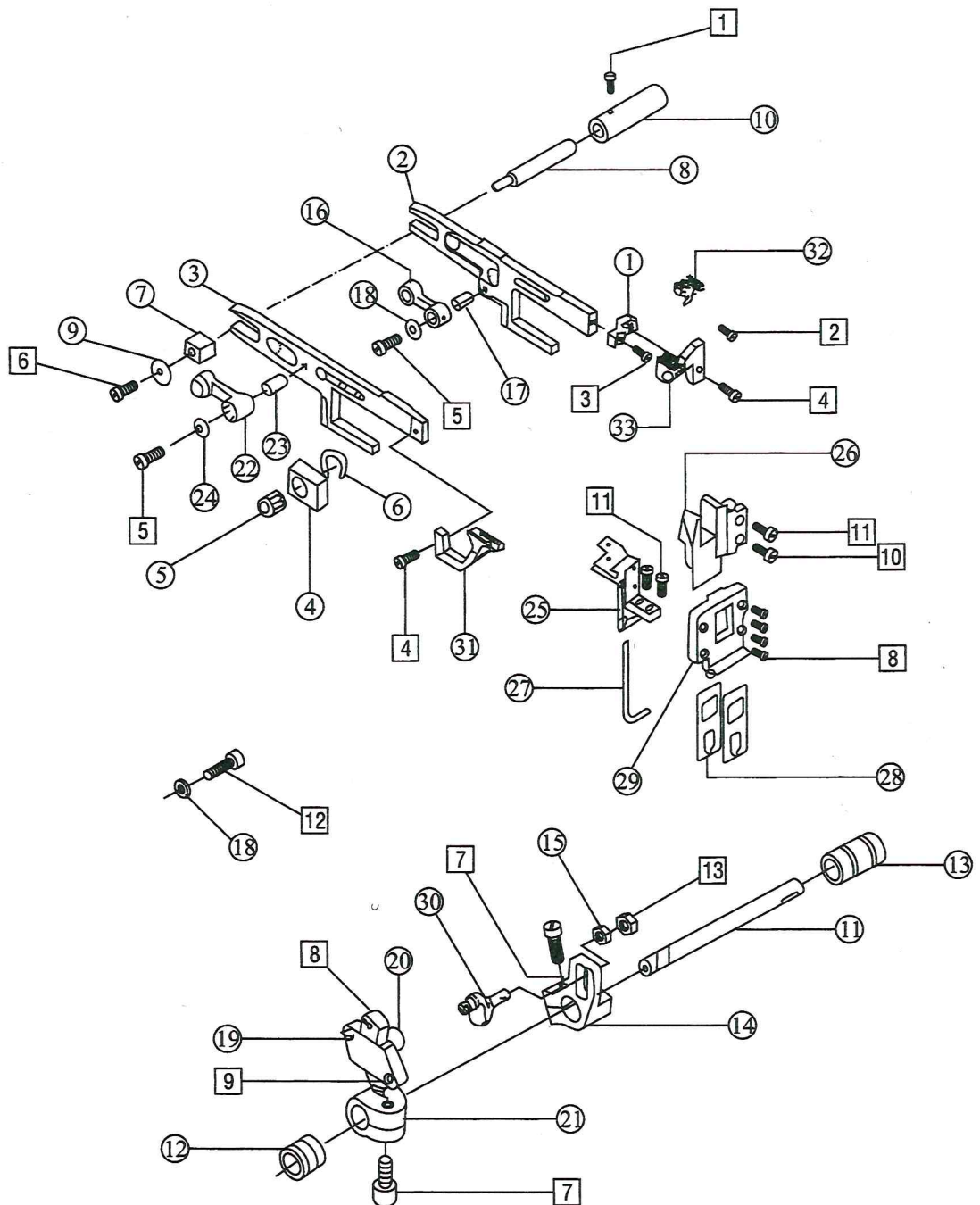




### 十三、拾牙送布部分 / Feed doy assemblies

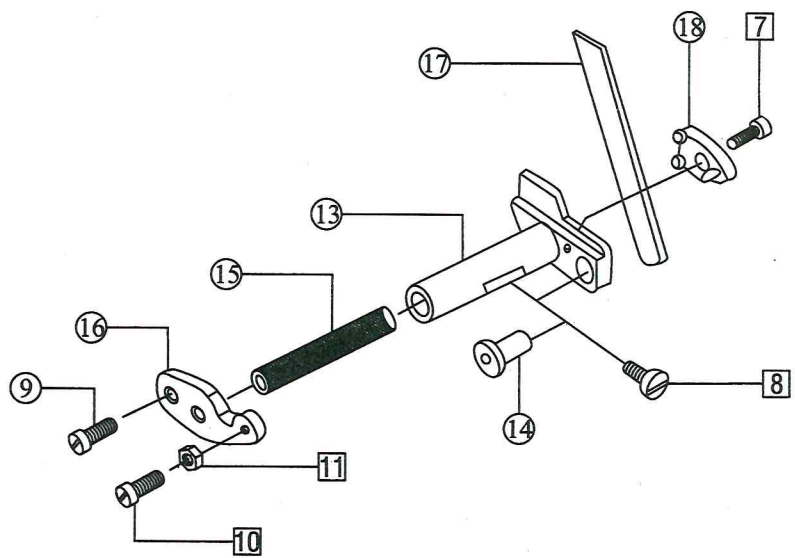
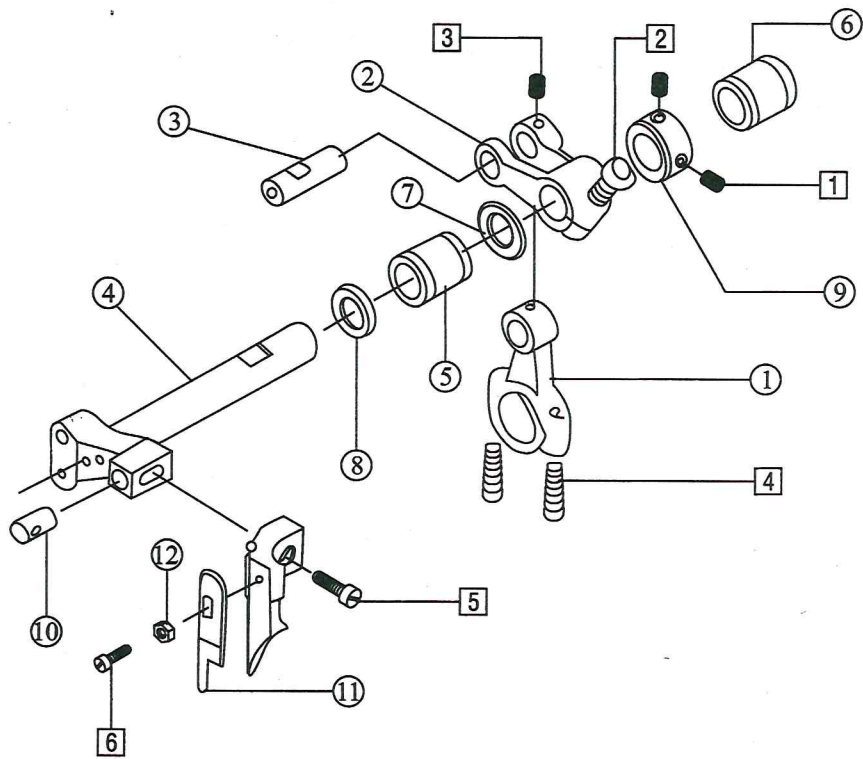
序号 Ref.No	零件编号 Part No.	名 称 Name	数 量 Amt. Req.			
			3	4	5	
1	M13-1	牙连接板	doy link plate	1	1	1
2	M13-2	送布牙架	feed doy holder	1	1	1
3	M13-3	差动牙架	differential feed doy holear	1	1	1
4	M13-4	拾牙滑块	feed doy lift slide block	1	1	1
5	M13-5	拾牙滑块滚针轴承(已取消)	feed doy lift slide block shaft bearing	1	1	1
6	M13-6	卡簧	snap ring	1	1	1
7	M13-7	差动送布滑块	differential feed slide block	1	1	1
8	M13-8	滑块偏心轴	slide block eccentric share	1	1	1
9	M13-9	差动送布滑块偏心垫	direrential feed slide block eccentric washer	1	1	1
10	M13-10	滑块偏心轴套筒	slide block eccentric shaft bushing	1	1	1
11	M13-11	送布轴	feed shaft	1	1	1
12	M13-12	送布轴左套筒	feed shaft bashing (left)	1	1	1
13	M13-13	送布轴右套筒	feed shaft bashing (right)	1	1	1
14	M13-14	送布调整曲柄	feed regulating crank	1	1	1
15	M13-15	垫圈	washer	1	1	1
16	M13-16	送布牙架连杆	feed doy holder link	1	1	1
17	M13-17	送布牙连杆套	feed doy holer link bashing	1	1	1
18	M13-18	送布牙架连杆套垫圈	differetial feed doy holder link bashing	2	2	2
19	M13-19	曲柄滑块盖板	crank slide block cover	1	1	1
20	M13-20	曲柄滑块	crank slide block	1	1	1
21	M13-21	差动牙调节曲柄	feed regulating crank	1	1	1
22	M13-22	差动牙架连杆	differential feed doy holder link	1	1	1
23	M13-23	差动牙架连杆套	differential feed doy holder link bushing	1	1	1
24	M13-24	差动牙架连杆套垫圈	pifferential feed doy holder link bushing washer	2	2	2
25	M13-25	挡油板	screw oil plate	1	1	1
26	M13-26	牙架导轨	feed doy carrier connection rod	1	1	1
27	M13-27	密封圈	sealing connecting ring	1	1	1
28	M13-28	活动油封	adjustable oil seal	2	2	2
29	M13-29	密封导架	sealing connecting rod	1	1	1
30	M13-30	送布牙连杆偏心轴	feed doy link ecentric shaft	1	1	0
	5M13-30	送布牙连杆偏心轴	feed doy link ecentric shaft	0	0	1
31	M13-31	差动牙	differential dog	1	1	0
	5M13-31	差动牙	differential dog	0	0	1
32	M13-32	辅送布牙	main feed dog	1	1	0
	5M13-32	辅送布牙	main feed dog	0	0	1
33	M13-33	主送布牙	main feed dog	1	1	0
	5M13-33	主送布牙	main feed dog	0	0	1
1	S028	调牙套筒螺钉	regulating bushing	1	1	1
2	S005	辅助调牙套筒螺钉	feed dog bushing screw	1	1	1
3	S024	牙架接板螺钉	screw	1	1	1
4	S100	主送布牙螺钉	main fed dog screw	2	2	2
5	S029	左右牙叉连杆螺钉	dog hloder link	2	2	2
6	S006	拾牙布曲柄螺钉	feed dog lift slide block screw	1	1	1
7	S101	右送布曲柄螺钉	feed shaft crank screw (right)	2	2	2

序号 Ref.No	零件编号 Part No.	名称 Name	数量 Amt. Req.		
			3	4	5
8	S012	左曲柄螺钉 crank screw (left)	5	5	5
9	S069	曲柄滑动盖螺钉 crank slide block cover screw	2	2	2
10	S034	牙叉叉块螺钉II tooth rorks screw	1	1	1
11	S046	牙叉叉块螺钉I tooth rorks screw	4	4	4
12	S031	螺钉 screw	1	1	1
13	N02	右送布曲柄销螺钉 reed crank pin shaft nat	1	1	1



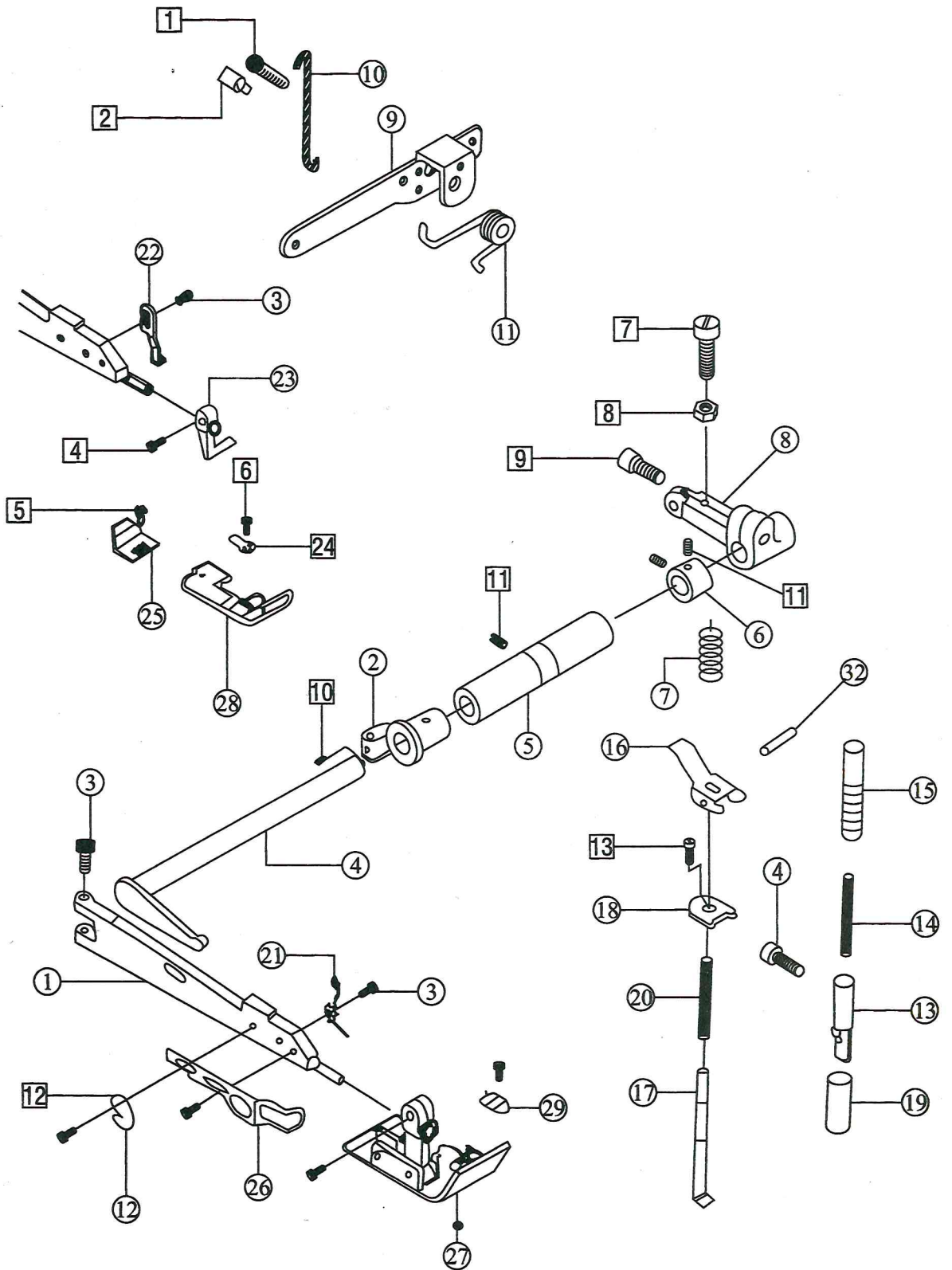
## 十四、剪切部分 / Frimming assemblies

序号 Ref.No	零件编号 Part No.	名 称 Name	数 量 Amt. Req.		
			3	4	5
1	M14-1	上刀连杆 upper knife driving connecting link	1	1	1
2	M14-2	上刀曲柄 upper knife crank	1	1	0
	5M14-2	上刀曲柄 upper knife crank	0	0	1
3	M14-3	曲柄销 crank pin	1	1	1
4	M14-4	上刀架轴 upper dnife frame rock shaft	1	1	1
5	M14-5	上刀轴左套筒 upper knife frame rock shaft brshing life	1	1	1
6	M14-6	上刀轴右套筒 upper knife frame rock shaft bushing right	1	1	1
7	M14-7	垫圈 washer	1	1	1
8	M14-8	上刀座 upper knife holder	1	1	0
	5M14-8	上刀座 upper knife holder	0	0	1
9	M14-9	挡圈 snap ring	1	1	1
10	M14-10	上刀架轴圈 upper knife holder pin	1	1	1
11	M14-11	上刀 upper knife	1	1	1
12	M14-12	垫圈 washer	1	1	1
13	M14-13	下刀架 lower knife holder	1	1	0
	5M14-13	下刀架 lower knife holder	0	0	1
14	M14-14	下刀架套筒 lower knife holder bushing	1	1	1
15	M14-15	下刀架弹簧 lower knife holder spring	1	1	1
16	M14-16	下刀架挡板 lower knife holder	1	1	1
17	M14-17	下刀 lower knife	1	1	1
18	M14-18	下刀压板 lower knife holder looking plate	1	1	1
1	S057	挡圈螺钉 snapping screw	2	2	2
2	S010	上刀曲柄紧固螺钉 upper knife cramk set screw	1	1	1
3	S043	上刀曲柄销螺钉 upper knife cramk pin screw	1	1	1
4	S074	上刀连杆螺钉 upper knife conneting link screw	2	2	2
5	S046	上刀座螺钉 upper knife holder screw	1	1	1
6	S025	上刀螺钉 upper knife screw	1	1	1
7	S036	下刀压板螺钉 lower knife holder locking plate screw	1	1	1
8	S033	下刀架螺钉 lower knife holder locking plate screw	1	1	1
9	S045	下刀挡板螺钉 lower knife snap plate screw	1	1	1
10	S022	下刀挡板螺钉 lower knife snap plate screw	1	1	1
11	N01	下刀挡板螺母 lower knife snap plate screw	1	1	1



## 十五、压布部分 / Presser foot assemblies

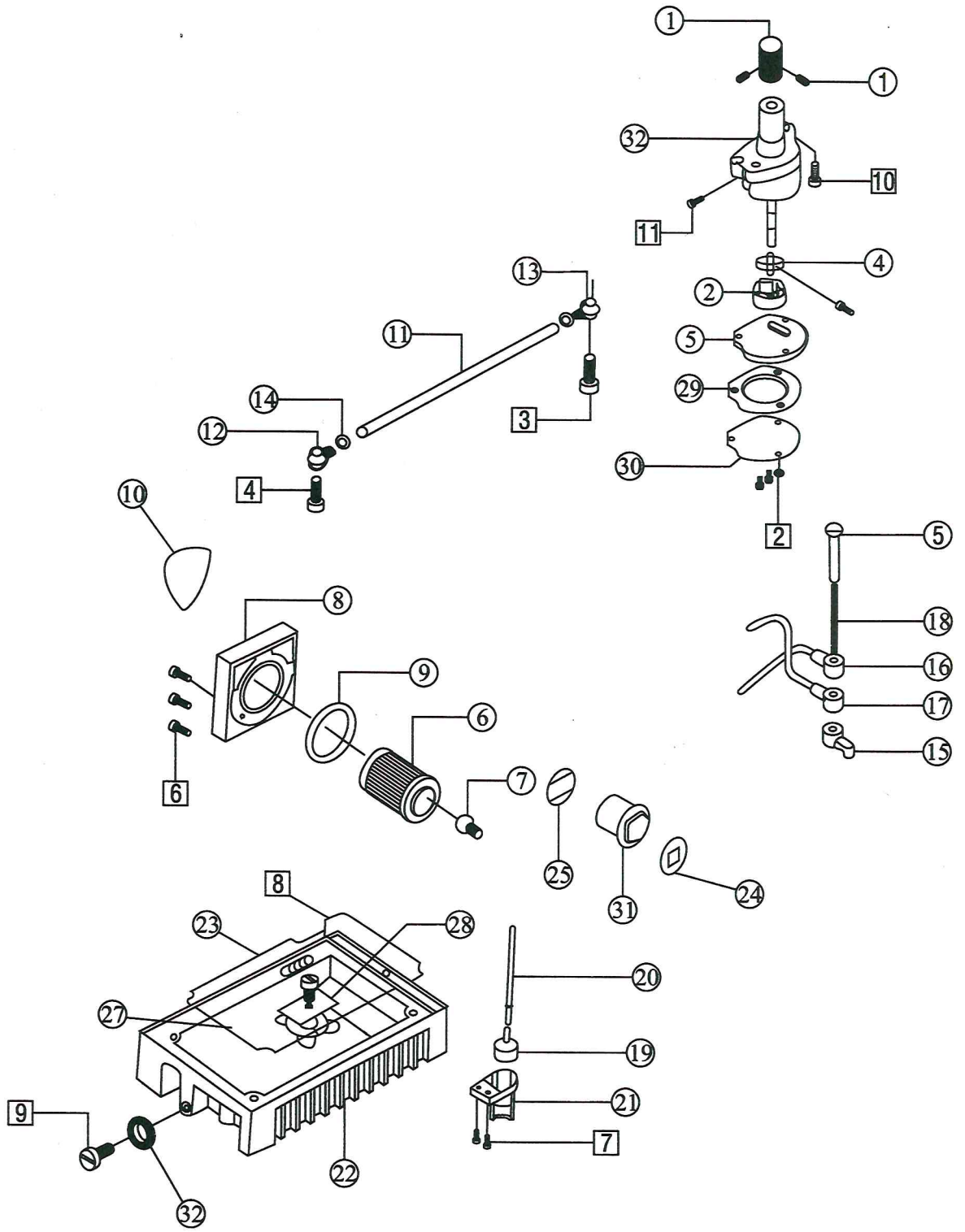
序号 Ref.No	零件编号 Part No.	名称 Name	数量 Amt. Req.			
			3	4	5	
1	M15-1	压脚架	presser foot holder	1	1	1
2	M15-2	压脚轴套	presser foot shaft bushing	1	0	1
3	M15-3	压脚架销	presser foot holder pin	1	1	0
4	M15-4	压脚架轴	presser foot holder shaft	1	1	1
5	M15-5	压脚轴套筒	presser foot shaft bushing	1	1	1
6	M15-6	压脚轴挡圈	presser foot shaft snap ring	1	1	1
7	M15-7	抬挡簧	lever spring	1	1	1
8	M15-8	压脚曲柄	presser foot crank	1	1	1
9	M15-9	压脚柄	presser foot lifting lever	1	1	1
10	M15-10	压脚柄勾	hook	1	1	1
11	M15-11	压脚柄簧	spring	1	1	1
12	M15-12	割线刀	thread cutting knife	1	1	1
13	M15-13	压杆	presser barhead	1	1	1
14	M15-14	压杆簧	presser bar spring	1	1	1
15	M15-15	压杆螺钉	presser regulating screnl	1	1	1
16	M15-16	压脚扳手	presser foot lifting handle	1	1	1
17	M15-17	压力簧导销	presser foot lifting anh	1	1	1
18	M15-18	压脚扳手座	presser foot lifting handle bracket	1	1	1
19	M15-19	压杆套	presser bar bushing	1	1	1
20	M15-20	压力簧	presser foot liftin spring	1	1	1
21	5M15-21	压脚弹簧	presser foot	0	0	1
22	M15-22	压脚架连接板	presser foot holder conneting plate	1	1	1
23	M15-23	压脚接柄	presser foot holder	1	1	1
24	M15-24	压脚小舌头簧片	presser foot base	1	1	1
25	M15-25	压脚底板簧片	presser foot	1	1	1
26	M15-26	压脚架护罩	presser foot holder cover	1	1	1
27	M15-27	压脚组件	presser foot form	0	1	0
28	M15-28	压脚底板	presser foot base	0	1	0
29	M15-29	小压脚	lifter presser foot	0	1	0
30	M15-30	压脚组件	presser form	1	0	0
31	5M15-31	压脚组件	presser form	0	0	1
32	M15-32	抬压脚扳手销	presser foot lifting handle pin	1	1	1
1	S059	压脚柄勾螺钉	screw	1	1	1
2	S030	压脚柄勾定位螺钉	set screw	1	1	1
3	S011	压脚架连接板螺钉	presser foot holder commecting plate screw	2	2	2
4	S016	压脚接柄螺钉	presser foot holder screw	1	1	1
5	S004	压脚底板簧片螺钉	screw	1	1	1
6	S013	压脚舌头簧片螺钉	screw	1	1	1
7	S068	压脚脚曲柄螺钉	presser foot crand screw	1	1	1
8	N03	螺母	nut	1	1	1
9	S010	压脚曲柄定位螺钉	presser foot crand screw	1	1	1
10	S009	压脚轴挡套圈螺钉	presser foot shaft snap washer screw	3	3	3
11	S043	螺钉	screw	1	1	1
12	S071	割线刀螺钉	thread cutting knife screw	2	2	2
13	S007	压脚扳手螺钉	presser footlifting handle screw	1	1	1



## 十六、润滑部分 / Lubrication assemblies

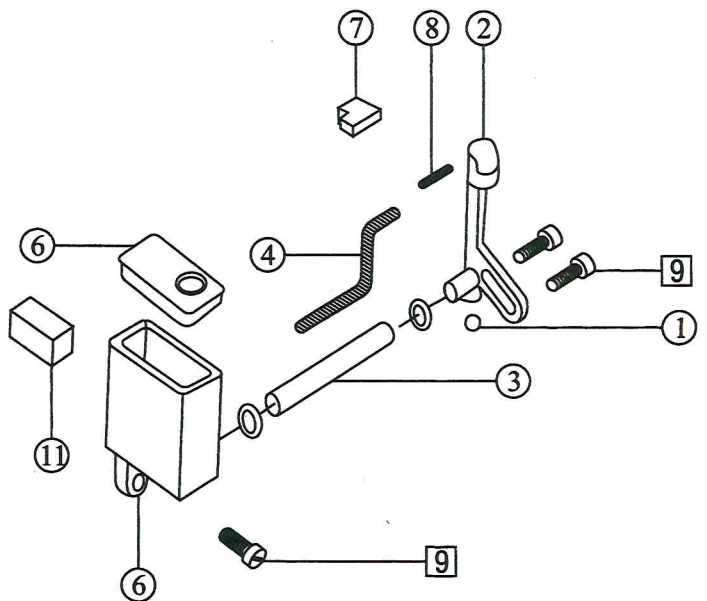
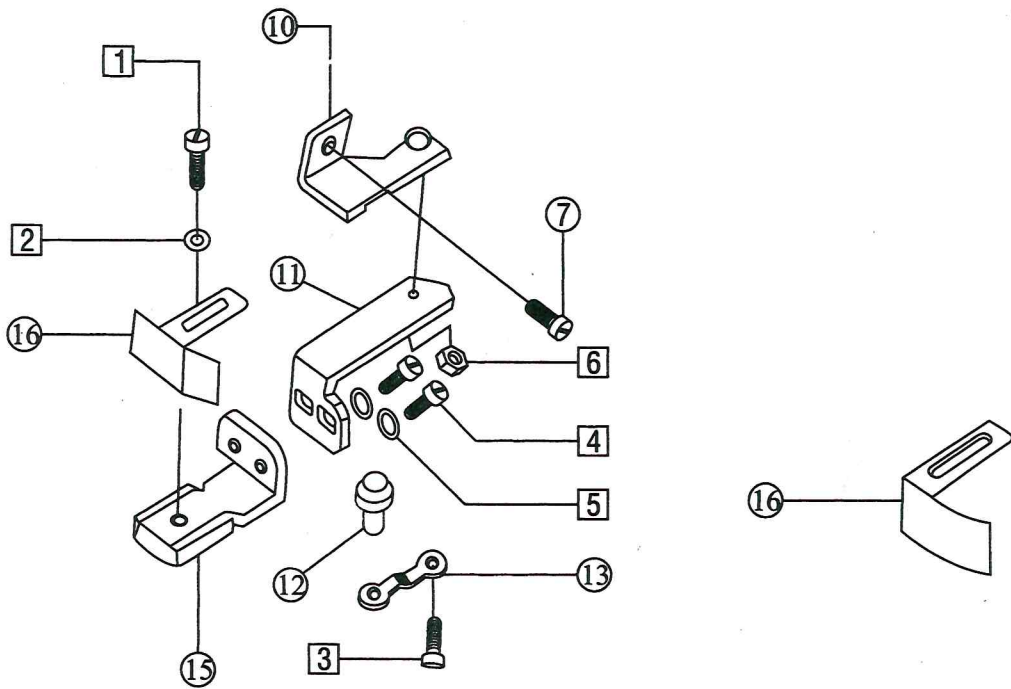
序号 Ref.No	零件编号 Part No.	名称 Name	数量 Amt. Req.			
			3	4	5	
1	M16-1	油泵蜗轮	oil pump worm gear	1	1	1
2	M16-2	滑块泵五星齿轮套	oil pump rotator bushing	1	1	1
3	M16-3	油泵齿轮长轴	oil pump rptatpr shaft	1	1	1
4	M16-4	油泵五星齿轮	oil pump rotator	1	1	1
5	M16-5	油泵罩板	oil pump cover plate	1	1	1
6	M16-6	滤油器	oil cleaner	1	1	1
7	M16-7	滤油器接头	oil cljerner joint	1	1	1
8	M16-8	滤油器盖	oil clerner cover	1	1	1
9	M16-9	滤油器盖密封圈	oil clerner cover seal ring	1	1	1
10	M16-10	润滑提示	ingicaing plate	1	1	1
11	M16-11	油管	oil tube	1	1	1
12	M16-12	油管接头I	oil tube joint	1	1	1
13	M16-13	油管接头II	oil tube joint	1	1	1
14	M16-14	油管卡簧	oil tube shap ring	4	4	4
15	M16-15	润滑套	lubrcate bushing	1	1	1
16	M16-16	上配油器	upper screen	1	1	1
17	M16-17	下配油器	lower screen	1	1	1
18	M16-18	调节销	regulating pin	1	1	1
19	M16-19	油量显示座	oil show bracket	1	1	1
20	M16-20	油量显示器杆	oil show cleaner link	1	1	1
21	M16-21	油量显示支架	oil show cleaner guard	1	1	1
22	M16-22	油盘	oil pan	1	1	1
23	M16-23	油盘垫圈	oil pan washer	1	1	1
24	M16-24	油标不干胶	boug on with	1	1	1
25	M16-25	油标刻度	oil dial	1	1	1
26	M16-26	堵油垫圈	oil seal	1	1	1
27	M16-27	油盘磁铁	oil pan magnet	1	1	1
28	M16-28	浪游盘磁铁盖	oil pan magnet cover	1	1	1
29	M16-29	滤油网固定架	oil screen holder	1	1	1
30	M16-30	滤油网	oil screen felt	1	1	1
31	M16-31	油标	oil bouy	1	1	1
32	M16-32	油泵体组件	oil pump asm	1	1	1
33	M16-33	回油网		1	1	1
34	M16-34	油封		1	1	1
1	S057	油泵蜗轮螺钉	oil pamp worm gear screw	2	2	2
2	S024	滤油网螺钉	oil cleaner screw	3	3	3
3	S086	油管接头II螺钉	oil tube joint screw	1	1	1
4	S063	油管接头I螺钉	oil tube joint screw	1	1	1
5	S052	配油器螺钉	oil screen screw	1	1	1
6	S039	滤油器盖螺钉	oil screen cover screw	3	3	3
7	S042	油量显示器支架螺钉	oil boy finger screw	2	2	2
8	S037	油盘磁铁盖螺钉	oil pan magnet cover screw	1	1	1
9	S066	油盘放油螺钉	oil pan oil screw	1	1	1
10	S048	油泵螺钉	oil pump screw	1	1	1
11	S065	油泵体螺钉	oil pumps asm svrew	1	1	1





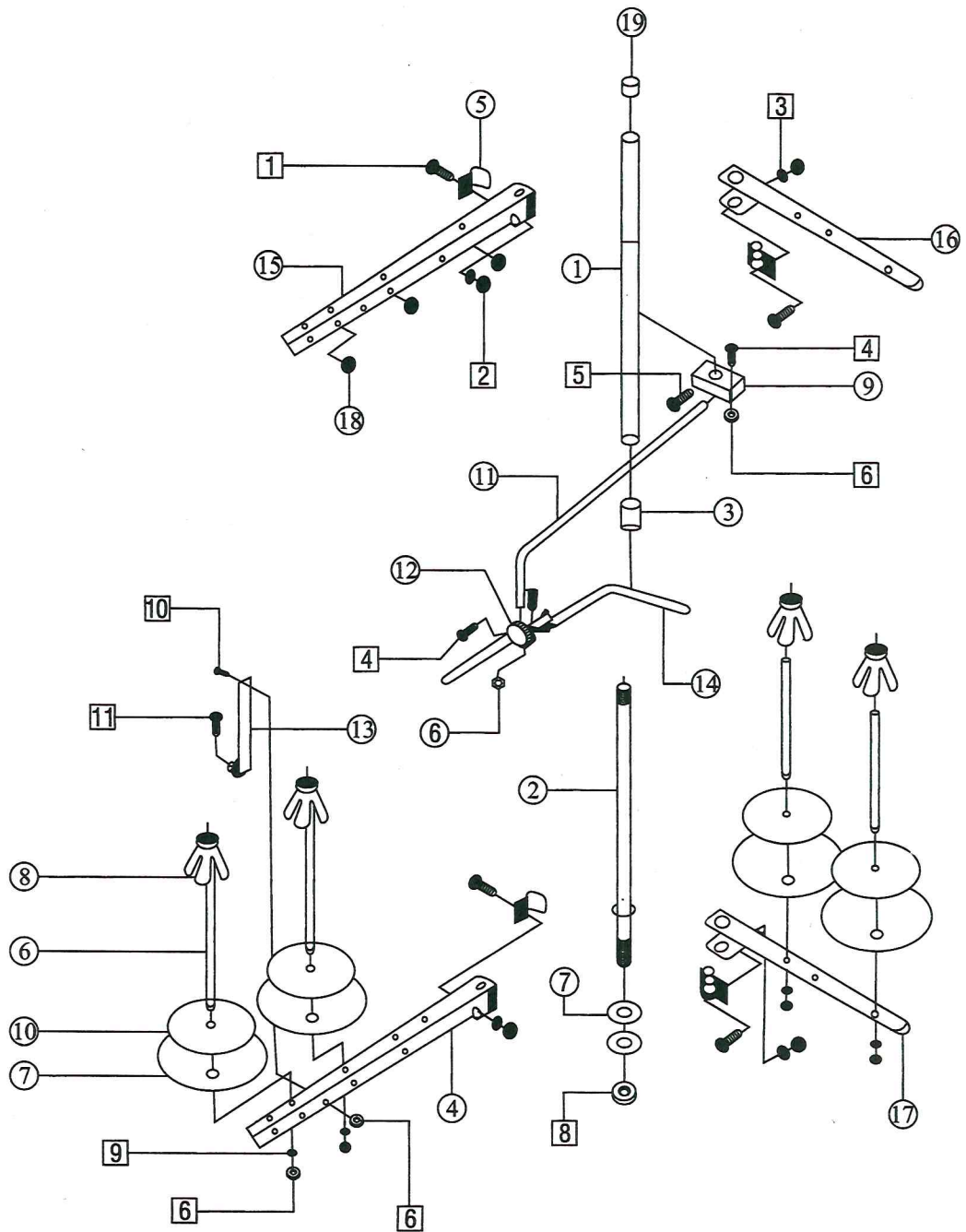
## 十七、送布挡料部分 / Feed snap assemblies

序号 Ref.No	零件编号 Part No.	名 称 Name	数 量 Amt. Req.		
			3	4	5
1	M17-1	油堵 oil seal	1	1	1
2	M17-2	机针冷却器 needle cooler	1	1	0
	5M17-2	机针冷却器 needle cooler	0	0	1
3	M17-3	油管 oil tube bracker	1	1	1
4	M17-4	硅油冷却油线 oil wick	1	1	1
5	M17-5	下硅油盒盖 lower oil cover	1	1	1
6	M17-6	下硅油盒 lower oil box	1	1	1
7	M17-7	油棉 oil felt	1	1	0
	5M17-7	油棉 oil felt	0	0	1
8	M17-8	油线 oil wick	1	1	1
9	M17-9	送料支架 cloth guide holder	1	1	1
10	M17-10	铰链板 oinge plate	1	1	1
11	M17-11	硅油棉块 oil felt block	1	1	
12	M17-12	铰链销 hinge pin	1	1	1
13	M17-13	铰链簧片 hinge spring	1	1	0
14	M17-14	挡料板 snap plate	1	1	1
15	M17-15	挡料板座 snap plate bracket	1	1	1
16	M17-16	挡料板 snap plate	1	1	0
	5M17-16	挡料板 snap plate	0	0	1
1	S018	挡料板螺钉 snap late screw	1	1	1
2	W09	垫圈 washer	1	1	1
3	S021	铰链簧螺钉 hinge spring screw	1	1	1
4	S026	铰链螺钉 hinge screw	2	2	2
5	W11	垫圈 washer	2	2	2
6	N03	螺母 nat	1	1	1
7	S047	送布支架螺钉 cloth guide holder screw	1	1	1
8	S037	机针冷却器螺钉 needle cooler screw	3	3	3



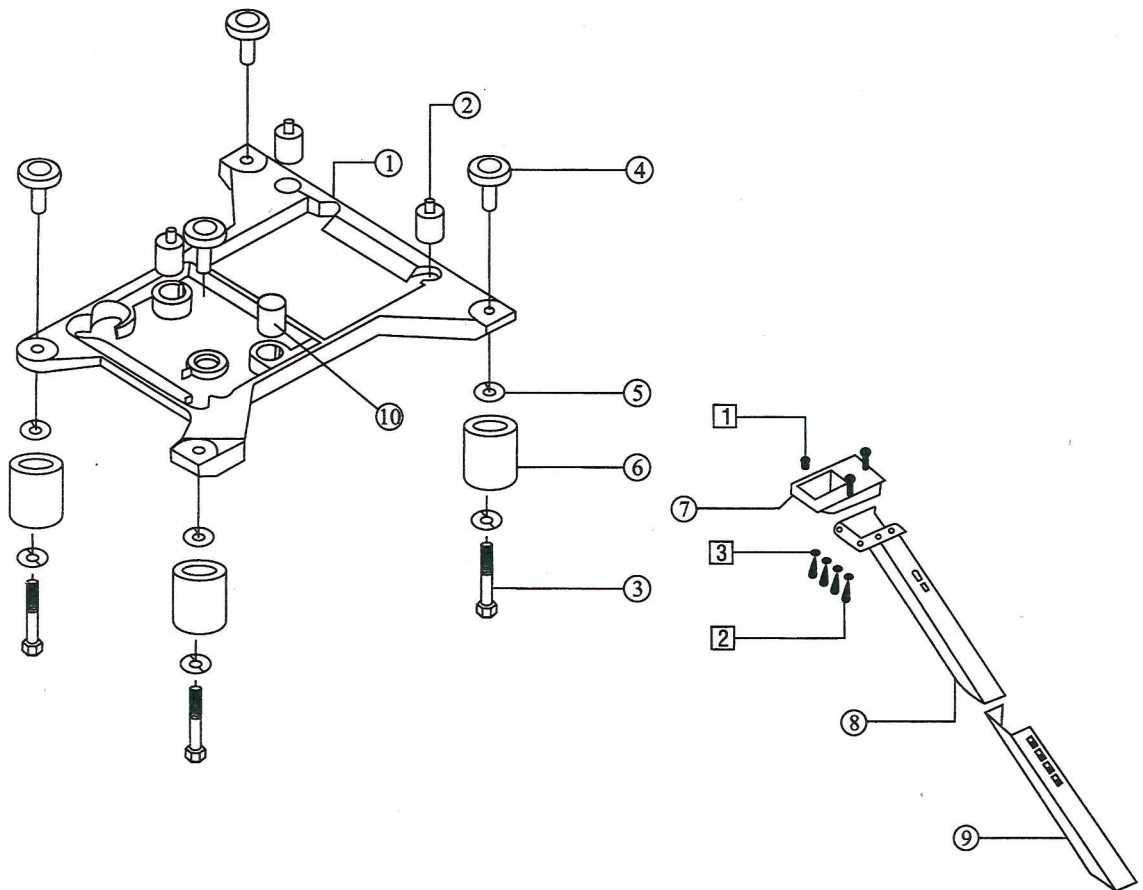
## 十八、线架部分 / Thread spool assemblies

序号 Ref.No	零件编号 Part No.	名称	Name	数量 Amt. Req.		
				3	4	5
1	M18-1	上管	upper thread column	1	1	1
2	M18-2	下管	lower thread column	1	1	1
3	M18-3	套	bushing	1	1	1
4	M18-4	长托线架	long thread spool tray bracket	1	1	1
5	M18-5	导线环	thread guide hook	4	4	4
6	M18-6	线托棒	spool pin	3	4	5
7	M18-7	线盘	spool tray	3	4	5
8	M18-8	线圈定位套	centering device	3	4	5
9	M18-9	棒架	clamp plate	1	1	1
10	M18-10	线盘垫	spool tray cushion	3	4	5
11	M18-11	导线棒	thread guide connecting bar	1	1	1
12	M18-12	因达器	thread guide joint	1	1	1
13	M18-13	固定板	thread stand holder	1	1	1
14	M18-14	导线棒	thread guide bar	1	1	1
15	M18-15	大导线棒	thread spool tray bracket	1	1	1
16	M18-16	过线板	thread guide plate	1	1	1
17	M18-17	托线架	thread spool tray bracket	1	1	1
18	M18-18	过线环	thread guide hook	3	3	3
19	M18-19	棒帽	rubber seal	1	1	1
1	S088	导线环螺钉	thread guide hook screw	4	4	4
2	N06	导线环螺母	thread guide hook screw	4	4	4
3	W02	导线环垫圈	thread guide washer	4	4	4
4	S075	棒架螺钉	clamp plate screw	3	3	3
5	S051	棒架螺钉	stick holder screw	1	1	1
6	N04	螺母	nut	8	8	8
7	W16	下管垫圈	lower washer	2	2	2
8	N05	螺母	nut	1	1	1
9	W05	垫圈	nut	4	4	4
10	S087	固定板螺钉	thread stand holder screw	1	1	1
11	S089	固定板连接螺钉	thread stand holder join screw	1	1	1



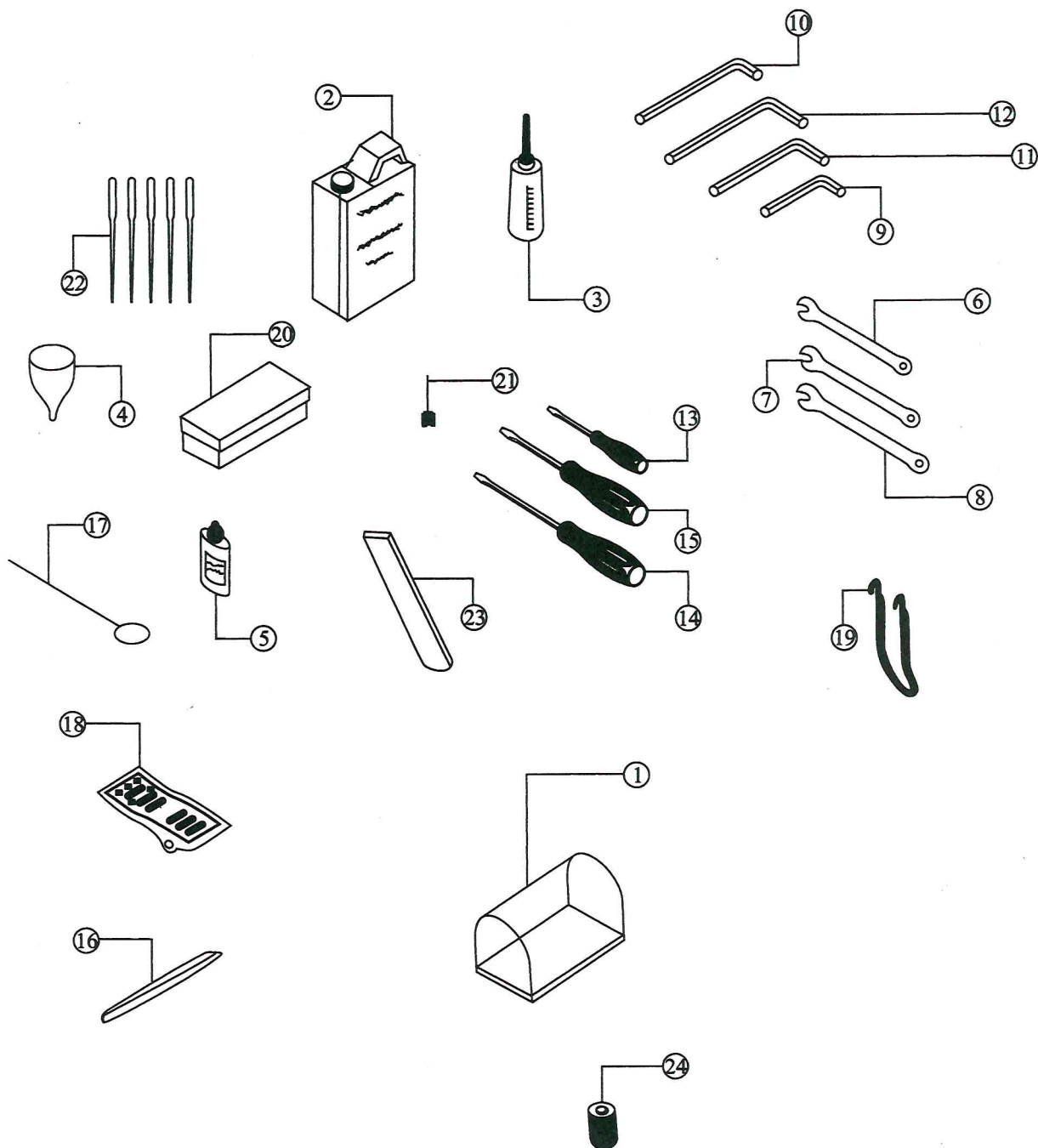
## 十九、托盘、排料部分 / Plater row material assemblies

序号 Ref.No	零件编号 Part No.	名称 Name	数量 Amt. Req.		
			3	4	5
1	M19-1	机头托盘 machine head plate	1	1	1
2	M19-2	减震垫组件 head shockproof cushion			
3	M19-3	螺钉M8x55 screw	4	4	4
4	M19-4	托盘螺钉固定头 screw	4	4	4
5	M19-5	大垫圈 pig washer	12	12	12
6	M19-6	托盘连接套 plate doy link bushing	4	4	4
7	M19-7	排料槽座 row material trollgh bracket	1	1	1
8	M19-8	排料槽(1) row material trough (1)	1	1	1
9	M19-9	排料槽(2) row material trough (2)	1	1	1
10	M19-10	机头减震垫 head shockproof cushion	1	1	1
1	S076	排料槽座螺钉 row material seat screw	3	3	3
2	W13	排料槽垫圈 row material washer	4	4	4
3	S077	排料槽螺钉 row material screw	4	4	4




## 二十、随机附件部分 / Accessories assemblies

序号 Ref.No	零件编号 Part No.	名称 Name	数量 Amt. Req.		
			3	4	5
1	M20-1	机罩 machine head cover	1	1	1
2	M20-2	油壶/1000cc oil can/100cc	1	1	1
3	M20-3	注油壶 notes oil	1	1	1
4	M20-4	漏斗 tundish	1	1	1
5	M20-5	油壶/50cc oil can/50cc	1	1	1
6	M20-6	扳手(6mm) spanner	1	1	1
7	M20-7	扳手(7mm) spanner	1	1	1
8	M20-8	扳手(8mm) spanner	1	1	1
9	M20-9	内六角扳手(1.5mm) cross screw driver	1	1	1
10	M20-10	内六角扳手(2mm) cross screw driver	1	1	1
11	M20-11	内六角扳手(5mm) cross screw driver	1	1	1
12	M20-12	内六角扳手(6mm) cross screw driver	1	1	1
13	M20-13	螺丝刀(小) screw driver	1	1	1
14	M20-14	螺丝刀(中) screw driver	1	1	1
15	M20-15	螺丝刀(大) screw driver	1	1	1
16	M20-16	镊子 tweezer	1	1	1
17	M20-17	金属线 metal guide	1	1	1
18	M20-18	脚踏板 presser foot base	1	1	1
19	M20-19	脚踏板链 presser foot base chain	1	1	1
20	M20-20	附件盒 affach nentbox	1	1	1
21	S009	顶针螺钉 thimble screw	1	1	1
22	DCX27	机针 needle	4	4	4
23	M11-19	下刀 lower knife	1	1	1
24	M13-6	过滤器 oil filter	1	1	1






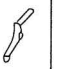
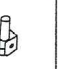
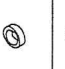







## 系列专用件

机 型	用 途											
		针板 编号	主送布 牙编号		差 动牙 编号	压脚	上弯 针	针夹	垫圈	针杆 曲柄	下弯 针摆 动曲 柄	针号
 -3- 505F1 -04	下摆暗缝, 薄、中 厚物, 作暗缝卷边 作业	E784	D438	D674	H442	P152D-3	LP26	KG131-E	KJ10F	KF25-A	KJ09B-E	DC27#9
 -3- 504M1 -15	卷边缝, 薄物、适 用于女衬衫手帕等 装饰作业	E934	D438	D912	H442	P152D-A	LP26	KG131-E	KJ10F	KF25-A	KJ09B-E	DC27#9
 -3- 504M2 -04	一般缝纫, 薄、中 厚物, 用于基本缝 纫及西裤包边	E800	D440	D095	H445	P253E-4	LP26	KG131-E	KJ10F	KF25-A	KJ09B-E	DC27#11
 -4- 514M2 -24	一般缝纫, 薄、中 厚物, 用于针织内 衣, 妇女、儿童等 服装肩缝, 腋缝等 作业	E919	D440	D095	H445	P253E-4	LP26	KG142-E	KJ13F	KF26-A	KJ11B-E	DC27#11*2
 -5- 516M2 -35	一般缝纫, 薄、中 厚物, 用于裤子、 睡衣、衬衫、运动 服等直缝作业, 缝 纫宽度 0.8cm	E982	D489	D502	H497	P504-A	LP26	KG153-E	KJ13F	KF26-A	KJ11B-E	DC27#14*2
 -5- 516M2 -55	一般缝纫, 极厚 物, 适于工作服, 女衬衫的侧旁缝和 肩缝等作业缝纫宽 度 1cm	E986	D489	D502	H500	P502-A	LP26	KG155-E	KJ13F	KF26-A	KJ11B-E	DC27#14*2
 -5- 516X2 -56	一般缝纫, 极厚 物适于牛仔服的 侧缝, 内档等作 业, 具有极厚物 用的双板式压脚	E870	D490	D502	H501	P960-A	LP38	KG155-E	KJ13F	KF26-A	KJ11B-E	DC27#18*2

## COMPONENTS FOR -3-4-5MODE

	PURPOSE											
MODE		NO.OF THROAT PLATE	NO.OF FEED DOG		NO.OF DIFERENTIAL RATIO FEED DOG	PRESSER FOOT	UPPER LOOPER	NEEDLE CLAMP	WAS HER	NEEDEL BAR SHAFT	LOWER LOOPER SHAFT	NO.OF NEEDLE
-3- 505F1 -04	Front-concealed seam thin-middle-thick cloth	E784	D438	D674	H442	P152D-3	LP26	KG131-E	KJ10F	KF25-A	KJ09B-E	DC27#9
-3- 504M1 -15	Crimpmg Seam thin cloth applicable to decoration of blouses and hand kerchiefs	E934	D438	D912	H442	P152D-A	LP26	KG131-E	KJ10F	KF25-A	KJ09B-E	DC27#9
-3- 504M2 -04	General sewing for thin-middle-thick cloth, applicable to trousers piperation	E800	D440	D095	H445	P253E-4	LP26	KG131-E	KJ10F	KF25-A	KJ09B-E	DC27#11
-4- 514M2 -24	General sewing for thin-middle-thick cloth, shoulder and armpit sewing knitting underwear and women and chidren clothes	E919	D440	D095	H445	P253E-4	LP26	KG142-E	KJ13F	KF26-A	KJ11B-E	DC27#11*2
-5- 516M2 -35	General sewing for thin-middle-thick cloth,applicable to trousers bed-gown shirt	E982	D489	D502	H497	P504-A	LP26	KG153-E	KJ13F	KF26-A	KJ11B-E	DC27#14*2
516M2 -55	General sewing for very thick cloth applicable to overalls blouses,side and shoulder seam sewing width 1cm	E986	D489	D502	H500	P502-A	LP26	KG155-E	KJ13F	KF26-A	KJ11B-E	DC27#14*2
-5- 516X2 -56	General sewing for very thick cloth applicable to side seam or inside crotch with 2-board presser-bar	E870	D490	D502	H501	P960-A	LP38	KG155-E	KJ13F	KF26-A	KJ11B-E	DC27#18*2